



DRYPOINT® XC

efficient low dew point heatless desiccant drying

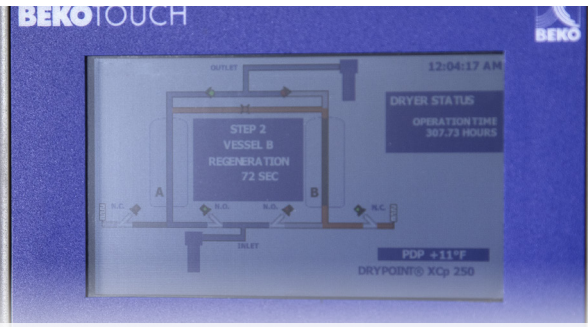


DRYPOINT® XC Heatless Desiccant Dryers



Reliable Design

Designed and built using the highest quality components like galvanized pipe and stainless steel angle seat valves for longer service intervals than our competition.



Advanced Controller

DRYPOINT XCp dryers include the intuitive, feature rich BEKOTOUCH controller with full-color, touchscreen display, data trends, high humidity alarm, and spare parts list.



Compact Design

Using innovative design thinking, the DRYPOINT XC line is 30% shorter in height than traditional designs to save valuable plant space around the dryer.



Ease of Use

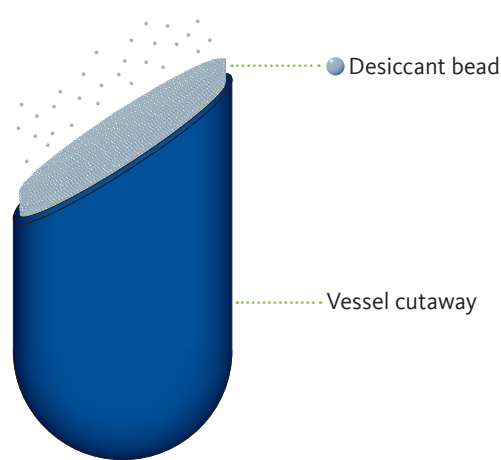
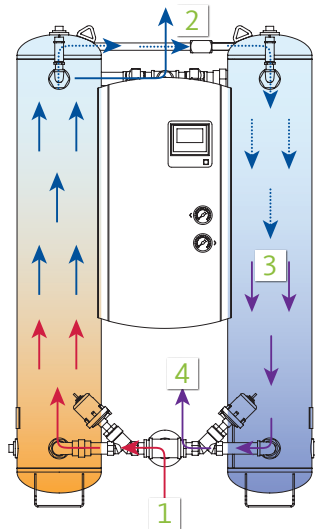
Built on an open frame with front mounted components makes DRYPOINT XC the ultimate in ease of operation and maintenance.



Wide Standard Range

With a wide range up to 2,800 scfm, high pressure models, plus our custom engineering capabilities, we have a perfect solution for every application.

How it Works



Click or scan to watch on



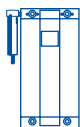
YouTube

1. After passing through a coalescing-type pre-filter (not shown), warm water-saturated air enters the dryer through an open inlet valve and flows upward through the tower, where desiccant extracts and retains water vapor, lowering the dew point.
2. Dried air exits the top of the tower and passes through a check valve and particulate post-filter (not shown) before flowing to the air distribution system.
3. A small amount of dry purge air is diverted from the outlet flow of the drying tower; this purge air is regulated by an adjustable bi-directional needle valve and flows into the offline (de-pressurized) regenerating tower. As the purge air expands to near atmospheric pressure, the dew point is further lowered. The extremely dry purge air flows downward through the regenerating tower, extracting water from the desiccant.
4. Purge air exits the bottom of the regenerating tower and flows through an open purge exhaust valve and vents to the atmosphere through a muffler. After period of time the air flow path through the dryer will reverse, the fully regenerated tower becomes the drying tower and the former drying tower (now water-laden) is regenerated.

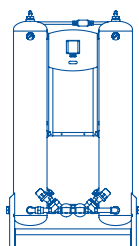
DRYPOINT® XC Heatless Desiccant Dryers

Regenerative desiccant dryers are frequently found in industrial applications around the world. These dryers use a desiccant material, which adsorbs the water vapor in the air stream. Heatless desiccant dryers utilize a small amount of dried air to regenerate the desiccant in one tower while the other tower dries the compressed air. XC Series heatless desiccant dryers provide very low dew points, are designed around reducing energy and process waste, and provide a very user friendly interface.

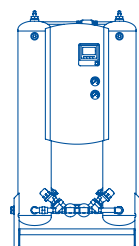
Compare



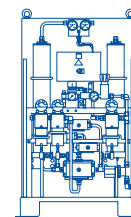
ACC Line
Compact Heatless Series



XCe Line
Economy Heatless Series



XCp Line
Premium Heatless Series



AC HP Line
High Pressure Heatless Series

Flow Rates

4 - 110 scfm

80 - 800 scfm

80 - 2,800 scfm

35 - 480 scfm

Standard Outlet Pressure Dew Point | Optional

-40 °F | -100 °F

-40 °F | -100 °F

-40 °F | -100 °F

-40 °F | -100 °F

Maximum Operating Pressure

232 psig

150 psig

150 psig

7,250 psig

Average Purge Air

18%

15%

15%

3-7%

Available Options

Wall mounting bracket (ACC 4-35), Cover3More extended warranty

Mounted filters, 3-valve bypass, Cover3More extended warranty

Mounted filters, 3-valve bypass, Outdoor package, Dew point monitor with display, Failure to switch alarm, Webpage with data log, Cover3More extended warranty

Dew point demand control, Shock and vibration damping, Cover3More extended warranty

Product Family



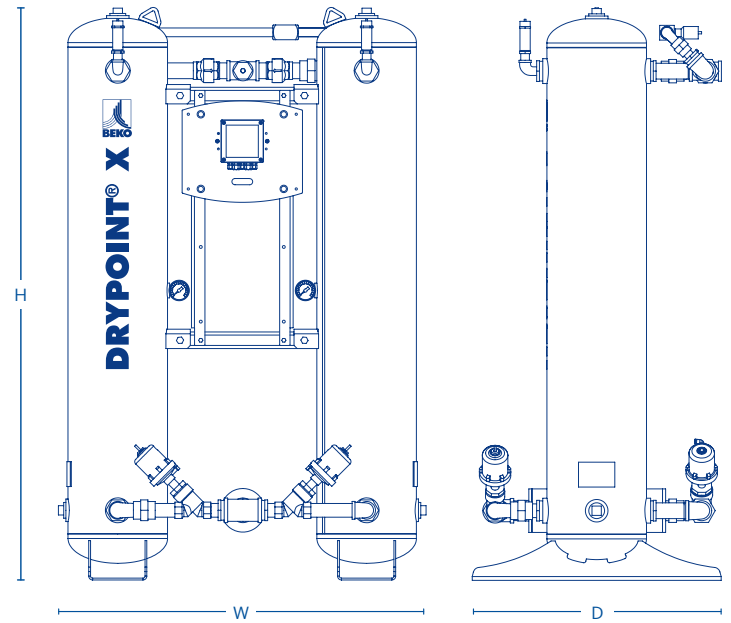
Heatless desiccant air dryers, compact, full size and high pressure models



DRYPOINT® XCe Economy Heatless Desiccant Dryers

with basic controller and slanted seat valves

- › Standard outlet pressure dew point: -40 °F
- › Electrical power supply: 120 VAC | 50 - 60Hz
- › Required pre-filtration grade SX: .01 µm | Required post-filtration grade FX: 1 µm
- › cULus listed controller with NEMA 4 indoor rating
- › ASME / CRN coded vessels
- › Min. / max. inlet air temperature: 40 °F / 120 °F
- › Min. / max. operating pressure: 60 / 150 psig



DRYPOINT® XCe	XCe 80	XCe100	XCe 120	XCe 160	XCe 200	XCe 250
Connection size (NPT)	¾"	1"	1"	1¼"	1¼"	1½"
Flow Rate (scfm)	80	100	120	160	200	250
Dimensions and Weight						
H x W x D (inches)	54 x 37 x 22	64 x 38 x 23	64 x 38 x 23	68 x 40 x 26	68 x 40 x 26	69 x 45 x 30
Empty Weight (lbs)	232	295	296	320	320	413
Total Fill (lbs)	132	167	167	262	262	384

DRYPOINT® XCe	XCe 300	XCe 400	XCe 500	XCe 650	XCe 800
Connection size (NPT)	1½"	2"	2"	2½"	2½"
Flow Rate (scfm)	300	400	500	650	800
Dimensions and Weight					
H x W x D (inches)	69 x 45 x 30	71 x 49 x 35	73 x 53 x 36	74 x 57 x 40	71 x 61 x 43
Empty Weight (lbs)	412	594	717	871	925
Total Fill (lbs)	384	539	715	917	1,114

Correction Factors

Operating Pressure (psig)	60	70	80	90	100	110	120	130	140	150
Correction Factor	.65	.74	.83	.91	1.00	1.12	1.16	1.2	1.25	1.29

Inlet Air Temperature °F	90	95	100	105	110	115	120
Correction Factor	1.07	1.04	1.00	.86	.73	.64	.55

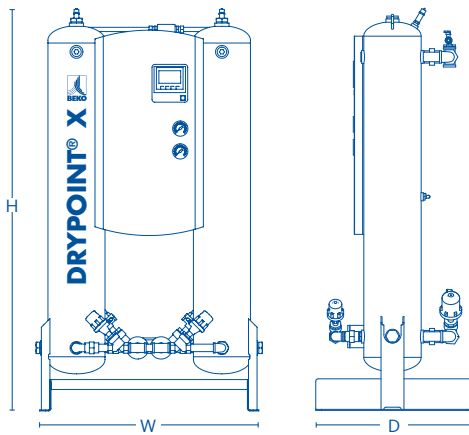
The correction factors on this page provide an estimation of the performance that can be achieved with the model sizes shown. For precise sizing for your application, please contact your BEKO Technologies sales representative.

DRYPOINT® XCp Premium Heatless Desiccant Dryers

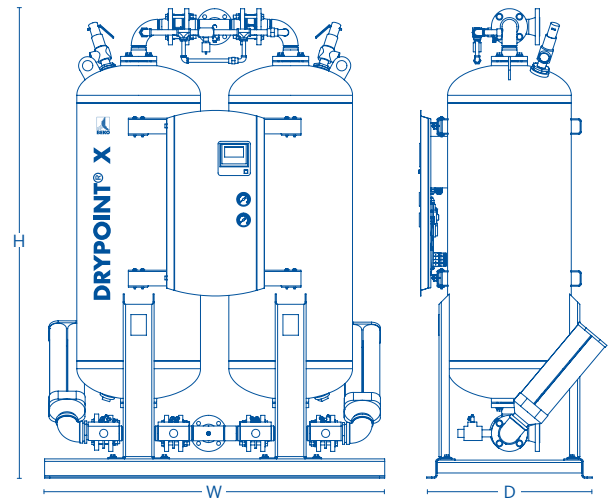
with standard humidity control and BEKOTOUCH PLC

- › Standard outlet pressure dew point: -40 °F
- › Optional outlet pressure dew point*: -100 °F
- › Electrical power supply: 120 VAC | 50 - 60Hz
- › Required pre-filtration grade SX: .01 µm | Required post-filtration grade FX: 1 µm
- › cULus listed controller with NEMA 4 indoor rating
- › ASME / CRN coded vessels
- › Min. / max. inlet air temperature: 40 °F / 120 °F
- › Min. / max. operating pressure: 60 / 150 psig

DRYPOINT® XCp 80 - 800



DRYPOINT® XCp 1000 - 2800



DRYPOINT®XCp	XCp 80	XCp 100	XCp 120	XCp 160	XCp 200	XCp 250	XCp 300	XCp 400	XCp 500
Connection Size (NPT)	¾"	1"	1"	1¼"	1¼"	1½"	1½"	2"	2"
Flow Rate (scfm)	80	100	120	160	200	250	300	400	500
Dimensions and Weight									
H x W x D (inches)	54 x 37 x 22	64 x 38 x 23	64 x 38 x 23	68 x 40 x 26	68 x 40 x 26	69 x 45 x 30	69 x 45 x 30	71 x 49 x 35	73 x 53 x 36
Empty Weight (lbs)	251	314	315	339	339	433	432	613	736
Total Fill (lbs)	132	167	167	262	262	384	384	539	715

DRYPOINT®XCp	XCp 650	XCp 800	XCp 1000	XCp 1200	XCp 1500	XCp 1900	XCp 2300	XCp 2800
Connection Size (NPT)	2½"	2½"	2½" Flange	2½" Flange	3" Flange	3" Flange	4" Flange	4" Flange
Flow Rate (scfm)	650	800	1000	1200	1500	1900	2300	2800
Dimensions and Weight								
H x W x D (inches)	74 x 57 x 40	71 x 61 x 43	90 x 66 x 32	91 x 66 x 37	91 x 72 x 44	96 x 72 x 44	103 x 78 x 48	103 x 78 x 48
Empty Weight (lbs)	892	944	1,490	1,792	2,814	2,814	4,168	4,168
Total Fill (lbs)	917	1,114	1,120	1,355	1,840	2,110	3,125	3,125

Correction Factors

Operating Pressure (psig)	60	70	80	90	100	110	120	130	140	150
Correction Factor	.65	.74	.83	.91	1.00	1.12	1.16	1.2	1.25	1.29

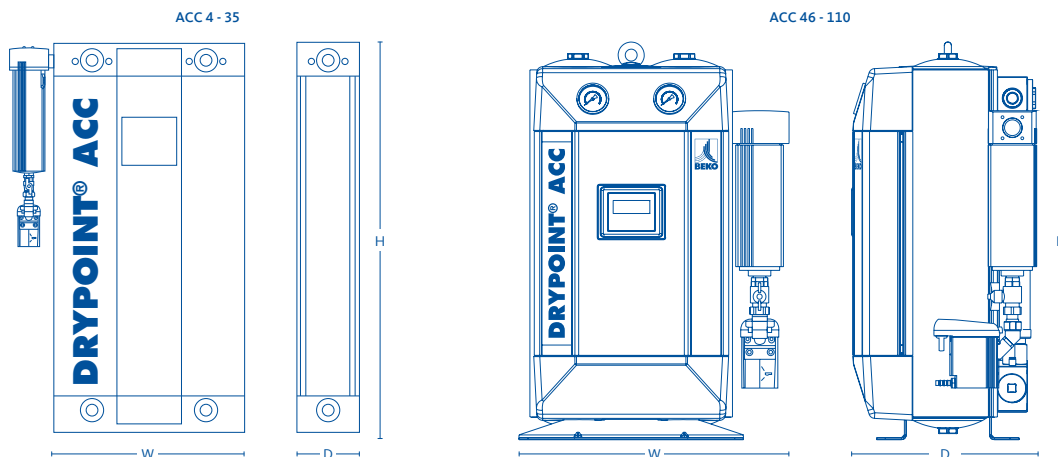
Inlet Air Temperature °F	90	95	100	105	110	115	120
Correction Factor	1.07	1.04	1.00	.86	.73	.64	.55

The correction factors on this page provide an estimation of the performance that can be achieved with the model sizes shown. For precise sizing for your application, please contact your BEKO Technologies sales representative.

DRYPOINT® ACC Compact Heatless Desiccant Dryers

CLEARPOINT® pre-filtration and post-filter included

- › Standard pressure dew point: -40 °F or -100 °F
- › Standard intelligent power supply: 12 - 24VDC/ 100 - 240 VAC; 50/60 Hz
- › Min. / max. air inlet temperature: 35 °F / 120 °F
- › Min. / max. ambient temperature: 41 °F / 120 °F
- › Min. / max. operating pressure: 58 / 232 psig (ACC 4-35), 189 psig (ACC 46-110)



DRYPOINT® ACC	ACC 4	ACC 6	ACC 8	ACC 10	ACC 15	ACC 25
Capacity at -40° F (scfm)	4	6	8	10	15	25
Capacity at -100° F (scfm)	3	4	6	7	11	18
Connection Size	3/8"	3/8"	3/8"	3/8"	3/8"	3/8"

Dimensions and Weight

H x W x D (inches)	18 x 11 x 4	20 x 11 x 4	22 x 11 x 4	25 x 11 x 4	32 x 11 x 4	42 x 11 x 4
Weight (lbs)	29	31	33	36	43	53

DRYPOINT® ACC	ACC 35	ACC 46	ACC 56	ACC 75	ACC 90	ACC 110
Capacity at -40° F (scfm)	35	45	55	75	90	110
Capacity at -100° F (scfm)	25	34	42	57	69	84
Connection Size	3/8"	1"	1"	1"	1"	1"

Dimensions and Weight

H x W x D (inches)	58 x 11 x 4	26 x 15 x 12	29 x 15 x 12	37 x 15 x 12	41 x 15 x 12	50 x 15 x 12
Weight (lbs)	68	106	117	142	160	192

Correction Factors

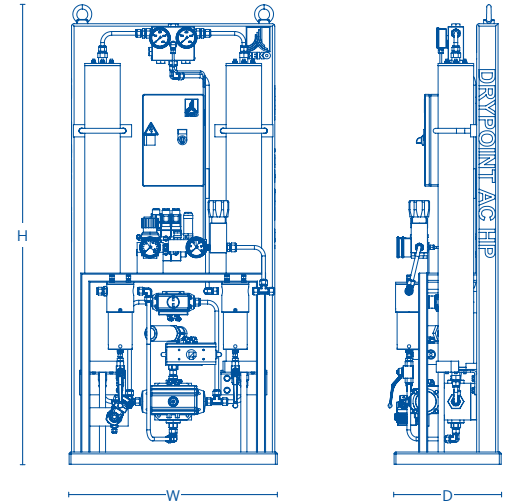
Operating Pressure (psig)	60	70	80	90	100	110	120	130	140	150
Correction Factor	.64	.73	.81	.90	1.00	1.08	1.16	1.25	1.33	1.41

Inlet Air Temperature °F	80	85	90	95	100	105	110	115	120
Correction Factor	1.17	1.11	1.06	1.00	.86	.74	.68	.61	.49

DRYPOINT® AC HP Heatless High Pressure Desiccant Dryers

full stainless steel components with PLC controller

- › Standard pressure dew point: -40 °F
- › Optional outlet pressure dew point: -100 °F
- › Vessels and all components are stainless steel
- › Optional pressure approvals: on request
- › Shock and vibration proof systems: on request
- › External low pressure purge attachment: on request
- › Standard electrical power supply: 85 - 265 VAC; 24 Vdc; 50-60 Hz
- › Included pre-filtration grade SX: .01 µm
- › Optional pre-filtration grade FX: 1 µm
- › Included post-filtration grade FX: 1 µm
- › Min. / max. air inlet temperature: 41 °F / 131 °F
- › Min. / max. ambient temperature: 41°F / 122°F



DRYPOINT® AC HP	AC 60 HP 100	AC 90 HP 100	AC 160 HP 100	AC 250 HP 100	AC 390 HP 100	AC 110 HP 250	AC 145 HP 250	AC 210 HP 250
Connection Size (NPT)	½"	½"	½"	½"	½"	½"	½"	½"
Flow Rate (scfm)	35	50	95	145	230	65	85	125
Max. pressure (psig)	1450	1450	1450	1450	1450	3600	3600	3600

Dimensions and Weight

H x W x D (inches)	57 x 31 x 18	59 x 31 x 18	59 x 31 x 18	70 x 31 x 18	70 x 33 x 20	53 x 31 x 18	53 x 31 x 18	66 x 31 x 18
Weight (lbs)	350	350	400	550	570	460	485	540

DRYPOINT® AC HP	AC 440 HP 250	AC 655 HP 250	AC 145 HP 350	AC 190 HP 350	AC 265 HP 350	AC 540 HP 350	AC 820 HP 350
Connection size	½"	½"	½"	½"	½"	½"	½"
Flow rate (scfm)	260	385	85	110	155	315	480
Max. Pressure (psig)	3600	3600	5000	5000	5000	5000	5000

Dimensions and Weight

H x W x D (inches)	66 x 31 x 18	70 x 33 x 20	53 x 31 x 18	53 x 31 x 18	66 x 31 x 18	66 x 31 x 18	70 x 33 x 20
Weight (lbs)	620	680	460	485	540	620	680

Correction Factors

Pressure (psig)	85°F	95°F	100°F	110°F	120°F	130°F
1,085 psig (AC HP 100)	.78	.76	.59	.46	.36	.29
1,450 psig (AC HP 100)	1.03	1.00	.78	.61	.48	.38

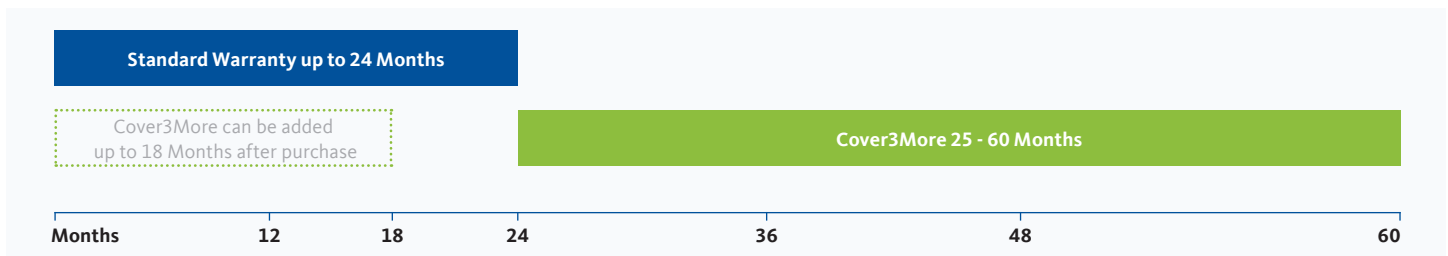
Pressure (psig)	85°F	95°F	100°F	110°F	120°F	130°F
2,900 psig (AC HP 250)	.86	.83	.65	.51	.40	.32
3,600 psig (AC HP 250)	1.03	1.00	.78	.61	.48	.38

Pressure (psig)	85°F	95°F	100°F	110°F	120°F	130°F
4,350 psig (AC HP 350)	.90	.990	.70	.54	.43	.34
5,000 psig (AC HP 350)	1.03	1.00	.78	.61	.48	.39

+3
Years on all
Products

ask your
**sales
representative**
for complete details
and extend your full
warranty today

At a Glance



Cover3More is available on all our product lines

DRYPOINT® RA	Refrigerant Air Dryers	BEKOMAT®	Zero Air Loss Drains
DRYPOINT® X / AC	Desiccant Air Dryers	QWIK-PURE®/ÖWAMAT®	Oil-water Separators
DRYPOINT® M	Membrane Air Dryers	METPOINT®	Instrumentation
CLEARPOINT®	Filters and Water Separators	BEKOKAT®	Hydrocarbon Removal Systems

How it Works

1. Select the product or products that you wish to cover with the extended warranty.
2. Simply add 8% to the net price of each product or call your sales representative if you need help calculating your final net price.
3. Include this information as a line item with your purchase order or purchase the warranty extension up to 18-months post-sale.

What we need from you: It's not much. In fact, if you are purchasing the Cover3More extended warranty with a new equipment purchase, all you have to do is include a line item on your order indicating which items you wish you cover, and we will take care of the rest. If you happen to be adding coverage to a product you've already taken delivery of, then all we need is the company name and contact information of the original purchaser, the product model number of the product to be covered, serial number, and original purchase order number or BEKO Technologies invoice number, and we will apply coverage appropriately. **Please feel free to contact us at +1 (800) 235-6797 to get started.**

All maintenance procedures, including filter element changes, must be carried out in accordance with the manual in order to maintain any warranty.

■ Compare

We give you more: In addition to a robust, standard 2-year warranty on BEKO Technologies products, we offer our customers the option of extending the standard warranty even further with the **Cover3More** program – a low cost, all-encompassing, and simple warranty extension program.

- › Extends the standard factory warranty for an additional 3-years
- › May be purchased at any time up to 18-months post-sale
- › No hassle and easy to calculate without any hidden costs

Secure your future with a minimal investment. The **Cover3More** extended warranty program from BEKO Technologies ensures that your investment is covered for a total of 5-years at a nominal cost.

- › 2-year standard warranty covers parts and labor
- › 3-year extended warranty covers parts only, no parts restrictions
- › Significantly reduces your risk of having unexpected costs

Reliability you can count on: With the Cover3More extended warranty program, BEKO Technologies not only lengthens the standard warranty period by 3-years from the installation date, but also draws on the company's vast compressed air industry experience to quickly resolve any product problems you may experience in the least disruptive way possible, thereby keeping downtime to an absolute minimum. Should a repair be required, it will be handled by qualified, authorized personnel, and only original parts will be used.

What's in the fine print: The optional 36-month warranty extension (i.e. Cover3More) is a limited extended warranty that covers parts only from months 25-60.

However, all of the aforementioned installation, performance, and quality requirements must still be met in order to maintain extended warranty coverage. Failure to do so will render all warranties null and void.

The limited extended warranty coverage may be purchased and applied to any of the BEKO Technologies product lines included in the scope of the Cover3More extended warranty program from the original date of purchase from BEKO Technologies to 18-months thereafter.

Extended warranty coverage may not be purchased during the final 6-months of the standard warranty coverage, which are months 19-24 from the date of shipment or at BEKO Technologies' discretion, the date of installation.

The purchase price of the Cover3More limited extended warranty is not prorated and the current published purchase price is always applied.

Should the extended warranty coverage be purchased post-delivery or post-sale, then the serial number of all products to which the warranty shall be extended must be provided to BEKO Technologies at the time of purchase of the extended warranty.

Reliable | Efficient | Innovative

What can we do for you?



BEKO TECHNOLOGIES CORP.
900 Great Southwest Pkwy SW
Atlanta, GA 30336
USA
Phone +1 (404) 924-6900
www.bekousa.com

