



EN - english

Instructions for installation and operation

METPOINT® OCV

Oil vapour measuring device with sampling probe



Dear customer,

Thank you for deciding in favour of the METPOINT® OCV measuring device with sampling probe. Please read these installation- and operating instructions carefully before mounting and starting up METPOINT® OCV, and follow our directions. Perfect functioning of the METPOINT® OCV, and thus exact measurement and monitoring of the residual oil content in compressed air, can only be guaranteed when the provisions and notes stipulated here are strictly adhered to.

Headquarter :

Deutschland / Germany

BEKO TECHNOLOGIES GMBH
Im Taubental 7
D-41468 Neuss
Tel.: +49 (0)2131 988 0
beko@beko.de

中华人民共和国 / China

BEKO TECHNOLOGIES (Shanghai) Co. Ltd.
Rm.606 Tomson Commercial Building
710 Dongfang Rd.
Pudong Shanghai China
P.C. 200122
Tel. +86 21 508 158 85
beko@beko.cn

France

BEKO TECHNOLOGIES S.à.r.l.
Zone Industrielle
1 Rue des Frères Rémy
F- 57200 Sarreguemines
Tél. +33 387 283 800
Info.fr@beko.de

India

BEKO COMPRESSED AIR TECHNOLOGIES Pvt. Ltd.
Plot No.43/1, CIEEP, Gandhi Nagar,
Balanagar, Hyderabad - 500 037, INDIA
Tel +91 40 23080275
eric.purushotham@bekoindia.com

Italia / Italy

BEKO TECHNOLOGIES S.r.l
Via Peano 86/88
I - 10040 Leini (TO)
Tel. +39 011 4500 576
info.it@beko.de

日本 / Japan

BEKO TECHNOLOGIES K.K
KEIHIN THINK 8 Floor
1-1 Minamiwatarida-machi
Kawasaki-ku, Kawasaki-shi
JP-210-0855
Tel. +81 44 328 76 01
info@beko-technologies.co.jp

Benelux

BEKO TECHNOLOGIES B.V.
Veenen 12
NL - 4703 RB Roosendaal
Tel. +31 165 320 300
info@beko.nl

Polska / Poland

BEKO TECHNOLOGIES Sp. z o.o.
ul. Chłapowskiego 47
PL-02-787 Warszawa
Tel +48 (0)22 855 30 95
info.pl@beko.de

Scandinavia

BEKO TECHNOLOGIES AB
Industrivägen 39
S-43361 Sävedalen
Tel +46 31 26 35 00
aleksander.suven@beko.de

España / Spain

BEKO Tecnológica España S.L.
Polígono Industrial "Armenteres"
C./Primer de Maig, no.6
E-08980 Sant Feliu de Llobregat
Tel. +34 93 632 76 68
info.es@beko.de

South East Asia

BEKO TECHNOLOGIES S.E.Asia
(Thailand) Ltd.
75/323 Romkiao Road
Sansab, Minburi
Bangkok 10510
Thailand
Tel. +66 (0) 2-918-2477
BEKO-info@beko-seasia.com

臺灣 / Taiwan

BEKO TECHNOLOGIES Co.,Ltd
16F.-5, No.79, Sec. 1,
Xintai 5th Rd., Xizhi Dist.,
New Taipei City 221,
Taiwan (R.O.C.)
Tel. +886 2 8698 3998
info@beko.com.tw

Česká Republika / Czech Republic

BEKO TECHNOLOGIES s.r.o.
Mlýnská 1392
CZ - 562 01 Usti nad Orlici
Tel. +420 465 52 12 51
info.cz@beko.de

United Kingdom

BEKO TECHNOLOGIES LTD.
2 West Court
Buntsford Park Road
Bromsgrove
GB-Worcestershire B60 3DX
Tel. +44 1527 575 778
Info.uk@beko.de

USA



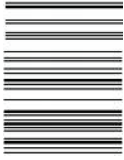
BEKO TECHNOLOGIES CORP.
900 Great SW Parkway
US - Atlanta, GA 30336
Tel. +1 (404) 924-6900
beko@bekousa.com

1 Type plates

At the sensor unit and at the housing of the evaluation unit with user interface (display), there are type plates. These comprise all important data of the METPOINT® OCV. Copy these data to the free fields of the type plates shown below before starting the installation. They must be communicated to the manufacturer or supplier upon request.

Never remove, damage or obliterate type plates!




1.1 Sensor unit

METPOINT® OCV SENSOR UNIT		
Power: AC 230V~ +/-10% / 50Hz / max. 0,2A		
Protection classification: Class I (PE)		
Connection: G3/8 Female ISO 228		
Type of Gas: Compressed Air		
Max. working pressure PS: 16 bar(g)		
Max. working temperature TS: +55°C		
Ambient temperature: +5°C...+45°C		
Type: 4013362		
S/N: 110229435		
B0704809-07018-B-S139		
		
BEKO TECHNOLOGIES		
http://www.beko.de		

B

Please enter the serial number (S/N) from the type plate of the sensor unit here!

1.2 Evaluation unit with user interface (display)

METPOINT® OCV EVALUATION UNIT		
Power: AC 230V~ +/-10% / 50Hz / max. 0,3A		
Protection classification: Class I (PE)		
Ambient temperature: +5°C...+50°C		
Type: 4013362		
S/N: 110229435		
B0704809-D139		
		
BEKO TECHNOLOGIES		
http://www.beko.de		

B

Please enter the serial number (S/N) from the type plate of the evaluation unit here!

Content

2 Content

1	Type plates	3
1.1	Sensor unit.....	3
1.2	Evaluation unit with user interface (display).....	3
2	Content	4
3	General advice.....	6
4	Safety instructions.....	6
4.1	General safety instructions	6
4.2	Special advice in accordance with the 97/23/EC Pressure Equipment Directive	9
4.3	Special safety instructions	9
4.4	Process-dependent hazards.....	10
5	Field of application and proper use of the METPOINT® OCV	10
6	Technical data	12
6.1	METPOINT® OCV sensor unit.....	12
6.2	Evaluation unit with user interface (display).....	13
6.3	EU directives and harmonised standards applied	13
6.4	Installation requirements.....	14
6.4.1	Sensor unit.....	15
6.4.2	Evaluation unit with user interface	15
6.5	Illustration of the device	16
6.6	Adjusted operating pressure.....	17
7	System and functional description	18
8	Transport and storage	19
9	Unpacking.....	19
10	Installation.....	20
10.1	Place of installation.....	20
10.2	Installation diagram METPOINT® OCV with activated carbon adsorber	22
10.3	Installation diagram METPOINT® OCV with BEKOKAT	23
10.4	Installation diagram METPOINT® OCV with oil-free compression	24
10.5	Installation of METPOINT® OCV downstream of an activated-carbon filter	25
10.6	Installation diagram bypass installation for METPOINT® OCV.....	26
10.7	Installation steps	27
11	Start-up	35
11.1	General advice regarding the installation.....	36
11.2	Procedure settings.....	37
11.3	Procedure start measurement	43
12	Removal from service and uninstalling	48
13	Operation	48
13.1	Control and display elements.....	49
13.2	General advice for the operation of the METPOINT® OCV	50
13.3	Trouble indications, service indications and note fields.....	51

13.3.1	Trouble indications.....	51
13.3.2	Service indications.....	52
13.3.3	Note fields.....	53
13.4	Measured value memory.....	53
13.5	Display of the alarm message.....	54
13.5.1	Potential-free alarm contact.....	54
13.5.2	Analogue output 4-20 mA.....	60
13.6	Reading out of the measured values via the Ethernet connection.....	65
14	Declaration of conformity.....	66
15	Maintenance and service.....	68
15.1	Care.....	68
15.2	Daily check.....	68
15.3	Calibration.....	69
15.4	Support with regard to any application queries.....	69
16	Appendix.....	70

3 General advice



Please check, prior to reading the operating instructions, whether or not these instructions correspond to the device by comparing the indications on page 3 with the two type plates (sensor unit and evaluation unit with user interface).

Read these installation and operating instructions carefully prior to any intervention regarding the measuring device.

The operating instructions must be accessible at all times at the place of application of the device.



To ensure safe operation, the device must only be operated and maintained in accordance with the indications in the operating instructions. In addition, the national and operational statutory provisions and safety regulations, as well as the accident prevention regulations required for the respective case of application, need to be observed during employment. This applies accordingly when accessories are used.

Non-observance of the installation and operating instructions involves risks for persons and systems.

The sensor unit and the evaluation unit with user interface (display) must not be opened!

Prior to establishing the connection with the electric supply mains, the housing of the evaluation unit and the sensor unit must be connected with the supplied signalling cable!



System performance tests, installation, setting and service measures must only be carried out by authorised skilled personnel¹.

As a basic principle, device calibration must only be carried out by authorised skilled personnel.



To prevent contamination of the probe and of the sensor unit, allow compressed air to flow off of the compressed-air system for a short period of time prior to installation.

Stagnant air can lead to an increase of the residual oil content values.

When the system is rendered pressureless, measurement is impossible. An alarm is indicated.

Due to continuous technical development, we reserve the right to implement necessary modifications without prior notice.

If you have any queries regarding these instructions, please contact BEKO TECHNOLOGIES GMBH.



This symbol stands for actions which can also be implemented by the operators, provided that they are skilled and authorised accordingly.



It is our aim to offer you an environmentally-friendly measuring device:

Specific measures for reduced energy consumption.

Packaging made of recycled material.

Please support this concern regarding environmental protection by following all advice given.

4 Safety instructions

4.1 General safety instructions



DANGER!

Compressed air!



When applied incorrectly, compressed air represents an extremely dangerous energy source. Never work on components at the measuring device which are under pressure. Never direct a compressed-air stream at persons. The user must ensure that the installation of the METPOINT[®] OCV takes place in compliance with the instructions in the chapter entitled "Installation".

Make sure that no parts of the measuring devices are under pressure or unintentionally supplied with compressed air during the implementation of service measures.

¹ Authorised skilled personnel are persons who are authorised by the manufacturer, with experience and technical training, who are well-grounded in the respective provisions and laws and capable of carrying out the required works and of identifying and avoiding any risks during the machine transport, installation, operation and maintenance.

Qualified and authorised operators are persons who are instructed by the manufacturer regarding the handling of the METPOINT[®] OCV, with experience and technical training, and who are well-grounded in the respective provisions and laws.



DANGER!

Overpressure!

Adhere to the indications on the type plate regarding the maximum pressure!



Before starting installation, it is imperative to ensure that the compressed-air line is pressureless!



DANGER!

Supply voltage!

Operation and maintenance of electrically-powered machines and devices must only be undertaken by correspondingly qualified and authorised personnel. Prior to carrying out service measures, no matter which type, the following notes must be considered:

Make sure that no parts of the measuring devices are energised and that the measuring devices cannot be connected with the electric supply mains during service measures.

The device must not be started if the power cables show any damage.

METPOINT® OCV must not be operated if coverings have been removed.



DANGER!

Missing earth connection!

When the earth connection (protective earth) is missing, there is the risk in the event of malfunction, that contactable, conductive components may carry supply voltage. Touching of such parts leads to an electric shock with injuries and death.

It is imperative to connect the plant to earth or to connect the protective conductor according to the regulations.

Do not use plug adapters at the power plug.

Have the power plug replaced by qualified persons, if required.



WARNING!

Unauthorised interventions!

Any modification of the measuring device or of the function parameters which has not been checked and approved by the manufacturer leads to the development of potential danger sources.



WARNING!

Hot surface!

Personal injury and damage to objects – fire hazard!

Allow the plant to cool down prior to carrying out works on the METPOINT® OCV! Close off accessible areas and mark them.



DANGER!

Explosion!

Exceeding the explosion limit can lead to explosion involving the risk of injury!

When exceeding the admissible residual oil content of 5 mg/m³, the compressed-air supply should be interrupted to ensure that the explosion limit will not be reached.



DANGER!

Release of hazardous substances!

Inadmissible gases can lead to health damage and poisoning.

METPOINT® OCV must **only** be operated **with compressed air**, free from aggressive, corrosive, caustic, toxic, flammable and fire-accelerating constituents. Non-compliance with this will involve risks as a result of the release of harmful gases.



In the event of fire, do not use water to extinguish it (neither in the vicinity of the measuring device nor directed directly at the measuring device).

Safety instructions



WARNING!

Unauthorised intervention!

Unauthorised interventions may endanger persons or plants and lead to malfunction.

Do not open the housing of the sensor unit or of the evaluation unit!

4.2 Special advice in accordance with the 97/23/EC Pressure Equipment Directive

The proper use of the compressed-air plant is the basic requirement for safe operation. Therefore, the user must proceed as follows:

- The measuring device must only be employed within the pressure and temperature range limits indicated by the manufacturer on the type plate.
- The maximum operating pressure indicated by the manufacturer on the type plate must not be exceeded. It is the user's task to install the appropriate safety and control devices.
- The METPOINT® OCV must neither be set up in insufficiently ventilated rooms nor near heat sources or inflammable substances.
- To avoid fractures resulting from material fatigue, the METPOINT® OCV should not be exposed to vibrations during operation.
- The documents related to the METPOINT® OCV device (manual, operating instructions, manufacturer's declaration etc.) must be kept safe for future reference.
- No objects whatsoever must be installed at or placed on the METPOINT® OCV and the connecting lines.



WARNING!

Unauthorised intervention!

Unauthorised interventions may endanger persons or plants and lead to malfunction.

Tampering, modification and abuse of the pressure devices is forbidden. Users of the devices need to observe the local and national pressure equipment regulations in the country of installation.

4.3 Special safety instructions



IMPORTANT!

Overpressure!

Exceeding the maximum pressure can lead to damage in the plant.



Observe the type plate indications regarding the maximum pressure!



IMPORTANT!

Exceeding of the measuring range (red alarm indication)!

Employing the METPOINT® OCV above the indicated measuring range can damage the device!

Observe measuring range of the sensor unit! $\leq 0.01 \dots 5.0 \text{ mg/m}^3$ (in accordance with ISO 8573-1)



IMPORTANT!

Overheating!

Overheating will destroy the sensor unit and the evaluation unit.

Observe the permissible storage and transport temperature, as well as the permissible operating temperature (e.g. protect the measuring device against direct sunlight).

4.4 Process-dependent hazards



CAUTION!

Harmful hydrocarbons!

Harmful hydrocarbons can exist in the ductwork.

For example:

- Hydrocarbons and other particles which are toxic or otherwise dangerous to health.
- Particles which are contained in high-temperature gases.

As long as the process conditions are not absolutely safe, corresponding preventive measures must be undertaken, such as the use of a respiratory mask or purging/detoxification of the ductwork, prior to any intervention in the ductwork for maintenance or installation purposes.

Ensure that the ductwork is pressureless prior to carrying out any installation or dismantling works. If you are unsure in certain cases, please contact the responsible safety representative on location and/or read the local safety regulations.



DANGER!

Release of hazardous substances!

Inadmissible gases can lead to health damage and poisoning.

METPOINT® OCV must only be operated with compressed air, free from aggressive, corrosive, caustic, toxic, flammable and fire-accelerating constituents. Measurements in aggressive, corrosive, caustic, toxic, flammable and fire-accelerating media are not allowed.

5 Field of application and proper use of the METPOINT® OCV

The METPOINT® OCV devices serve for the stationary measurement and monitoring of the vaporous and gaseous residual oil content in compressed air (ISO 8573:2001). Any other use is considered improper.

The manufacturer shall not be liable for the consequences of improper use; the user alone is responsible for all risks that may arise.

The proper employment and use of the METPOINT® OCV according to directions requires the exact compliance with the installation instructions, in particular in respect of:

- The place of installation, installation conditions
- The supply voltage and frequency
- The pressure, temperature and humidity of the inlet air
- The ambient temperature

The device is supplied as accepted in the factory. The user only needs to establish the connections with the supply mains and interconnect the components, which is described in the following chapters.



WARNING!

Employment for the prevention of dangerous conditions!

A device of the METPOINT® OCV series must not be employed as the sole means of preventing dangerous conditions at machines and plants.

Machines and plants must be constructed in such a manner that defective conditions do not lead to a dangerous situation for persons or plants.



WARNING!

Improper use!

The METPOINT® OCV measuring devices offer state-of-the-art technology and are operationally safe. Residual risks may emanate from the measuring device when improperly employed and operated by untrained personnel.



The METPOINT® OCV measuring devices must only be used by qualified and authorised personnel and exclusively in accordance with the technical data.

6.2 Evaluation unit with user interface (display)

Dimensions:	230 x 200 x 120 mm (W x H x D)
Weight:	Approx. 3.6 kg
Protection class:	Standard IP 54
Operating temperature:	+5..+50 °C
Storage temperature:	+5..+50 °C
Resistance to climatic conditions:	Rel. humidity ≤ 75% annual mean without dew
Power cord:	Max. cladding diameter: 6.5 mm, strand cross: 0.75 mm ² , with safety plug and PE protective earthing
Outputs:	Potential-free change-over contact, 230V/AC 5A or 24V/DC 5A optional 4....20 mA
Power supply:	Version 1: 230 V AC 50 Hz +/- 10% Version 2: 115 V AC 60 Hz +/- 10%
Internal fusing:	1.0 A, slow (T1A / 250V)
Max. operating current:	Max. 0.22 A
Power consumption:	Max. 50.6 VA
Memory:	2 GB internal memory

6.3 EU directives and harmonised standards applied

2006/95/EC	Low-Voltage Directive
2004/108/EC	Directive about the electromagnetic compatibility, EMC
EN 61010-1	Safety requirements for electrical equipment for measurement, control and laboratory use
EN 61326-1	Electrical equipment for measurement, control and laboratory use EMC requirements

Technical data

6.4 Installation requirements

Installation requirements: Vertically into the rising main via oil and grease-free measuring section
Alternatively via heated analysis hoses

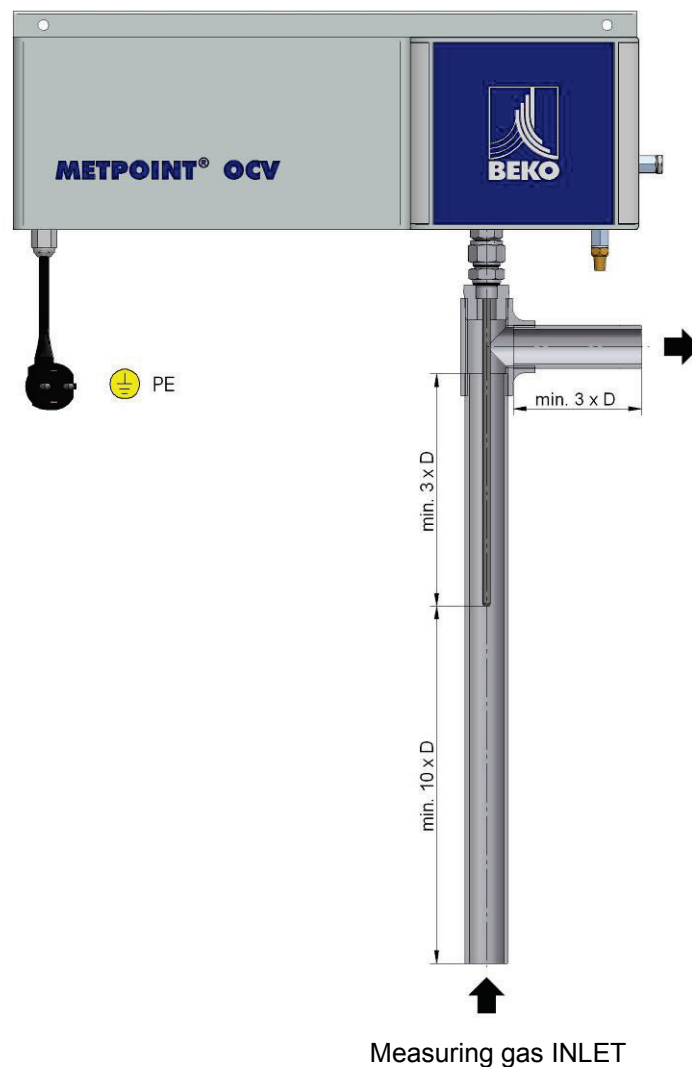
In general, the requirements on homogeneous flow conditions and concentrations are met when sampling takes place in a straight pipe section with an inlet section of at least five hydraulic diameters (**5 x DN**) and an outlet section of three hydraulic diameters (**3 x DN**). In addition, the pipe section must have a constant shape and a constant cross-section.

Inlet zone: 10 x DN (min. 200 mm) in accordance with ISO 8573-2

Outlet zone: 3 x DN (min. 100 mm) in accordance with ISO 8573-2

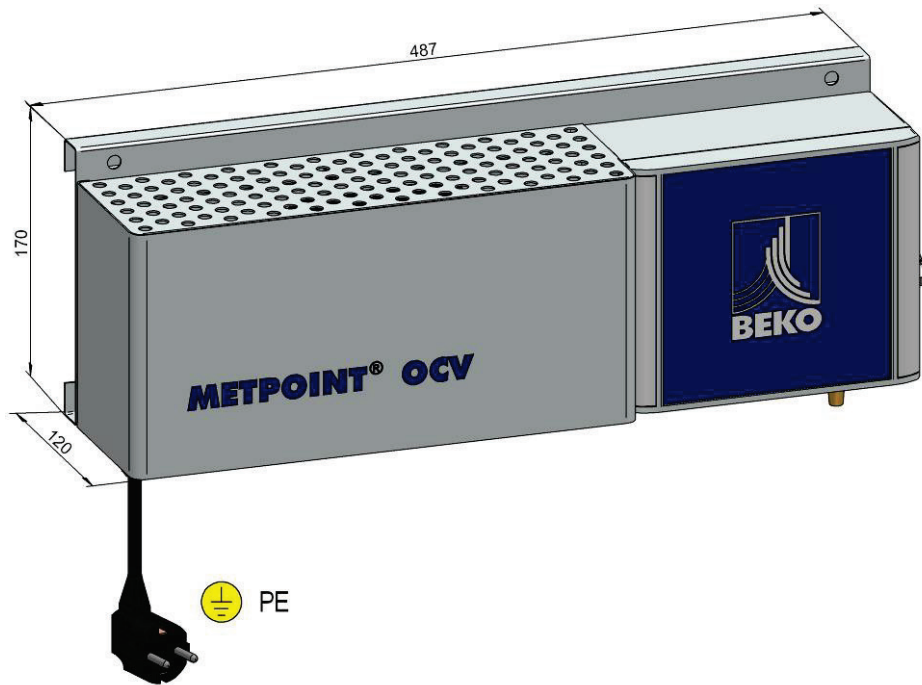
For the measuring sections made by BEKO TECHNOLOGIES or for measuring sections which are manufactured according to the specifications of BEKO TECHNOLOGIES, we recommend guide values for the minimum flow of the compressed air in the measuring sections, to ensure representative sampling. You will find these guide values in a table in the Appendix.

Minimum flow: See table in the Appendix



Dimensions

6.4.1 Sensor unit



You will find the dimensioning of the mounting holes in the Appendix.

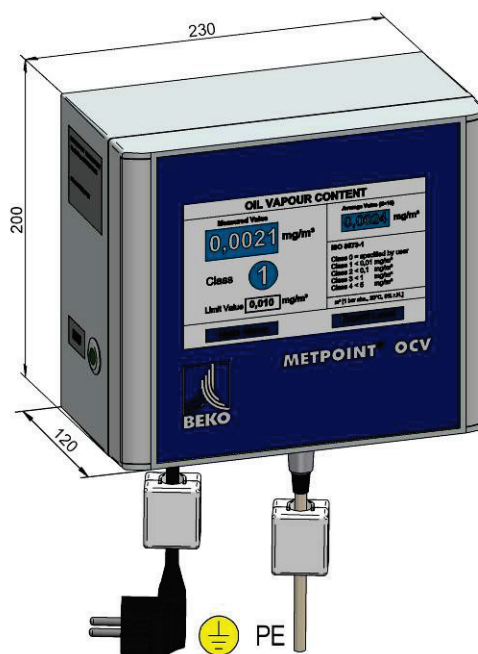


Please make sure to observe the servicing height when choosing the place of installation.

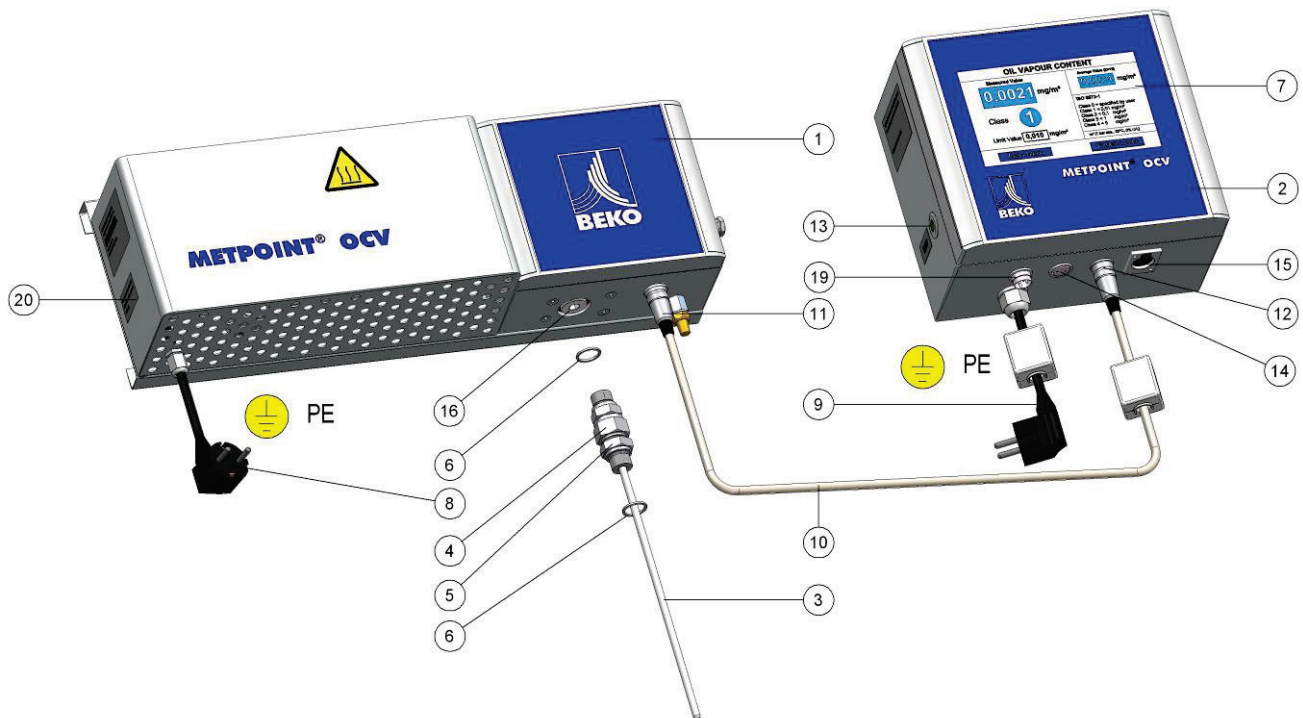
Servicing height with probe type 1: 500 mm

Servicing height with probe type 2: 700 mm

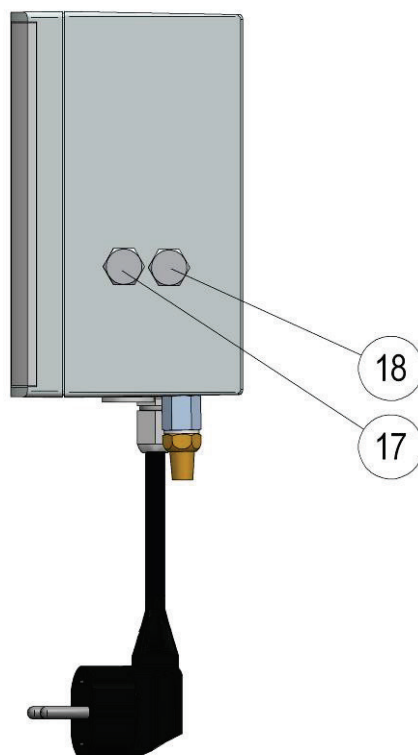
6.4.2 Evaluation unit with user interface



6.5 Illustration of the device



- 1 - Sensor unit
- 2 - Evaluation unit with user interface (display)
- 3 - Sampling probe
- 4 - Union nut
- 5 - Screw-connection body with G 3/8" external thread
- 6 - Stationary seal ring (2x)
- 7 - User interface / touchscreen
- 8 - Power supply cable for the sensor unit
- 9 - Power supply cable for the evaluation unit
- 10 - Signalling cable
- 11 - Connection signalling cable sensor unit
- 12 - Connection signalling cable evaluation unit
- 13 - On / off switch incl. indicator (green LED)
- 14 - Connection analogue output 4-20 mA (see Chapter 13.5.2, page 60)
- 15 - Connection Ethernet
- 16 - Measuring-gas connection "M"
- 19 - Connection potential-free alarm contact (see Chapter 13.5.1, page 54)
- 20 - Specification regarding the adjusted operating pressure



- 17 - Calibration-gas connection "C" (optional)
- 18 - Zero-air connection "Z" (optional)

6.6 Adjusted operating pressure

When delivered, the METPOINT OCV has been prepared and adjusted to the operating pressure indicated by you. You will find this setting below the type plate of the sensor unit.

EINGESTELLTER ARBEITSDRUCK
 ADJUSTED WORKING PRESSURE
 PRESSION REGLÉE À
7.5 bar(g)

Please contact us in the event that your operating conditions have changed. The BEKO service team will then adjust your device correspondingly.

System and functional description

7 System and functional description

The METPOINT® OCV was developed for the detection of vaporous and gaseous hydrocarbons in compressed air free from aggressive, caustic, toxic, flammable and fire-accelerating constituents.

When the stipulated installation requirements are met, aerosols should not exist at the inlet into the METPOINT® OCV device. Irrespective of this, oil components in the form of aerosols with a concentration of max. 5 mg/m³ are detected and indicated. However, isokinetic sampling does not take place (identical velocity at the place of withdrawal and in the measuring device), as this is not a constituent part of DIN ISO 8573 for oil vapour. The aerosol content would therefore be determined underkinetically with the result that a higher measured value than the actual one is indicated. As far as aerosols are concerned though, there is a danger that the measuring device will be contaminated very strongly at high concentrations and that, as a result, no usable data can be acquired. This condition is identified by the sensor electronics and indicated as a failure on the display. Simultaneously, information about necessary measures is provided to the customer, e.g. cleaning measures or purging with zero air.

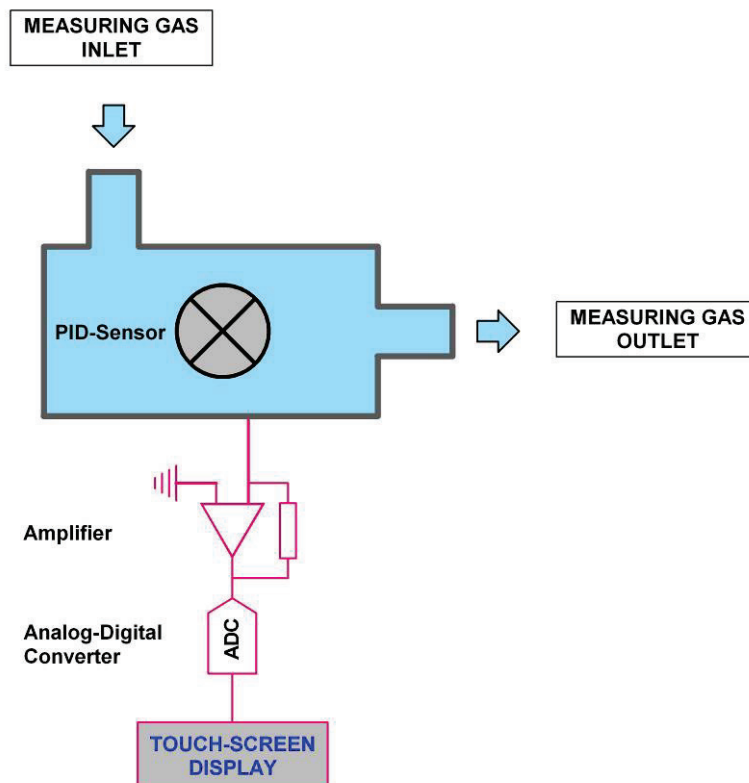
The METPOINT® OCV consists of two major components, the sensor unit with sampling probe and the evaluation unit with user interface (display). Via a signalling cable with a length of 5 m, the sensor unit is connected with the evaluation unit. The sampling probe is installed centrally from the top in the rising main, so that the probe takes compressed air in the centre of the compressed-air flow to be monitored.

The sensor of the METPOINT® OCV functions according to the proven and reliable principle of photoionisation.

The measuring principle of a photoionisation detector **PID** is based on the ionisation of the gas molecules through **UV radiation** and registration of the resulting ion current. The normal components of the compressed air (oxygen, nitrogen, carbon dioxide, argon, water etc.) are not ionised by the UV lamp. In contrast, hydrocarbons are reliably ionised. The strength of the ion current is directly proportional to the concentration of the ionised molecules. The electrical signal is measured, electronically amplified, and shown on the display as the total of the measured substances.

For corresponding operational reliability, the performance of the sensing technology is continuously monitored during the measurements. In the event that a defined safety limit value has not been reached, an alarm is activated which informs the user that the device needs to be checked by BEKO. A clear text will appear which is highlighted in red.

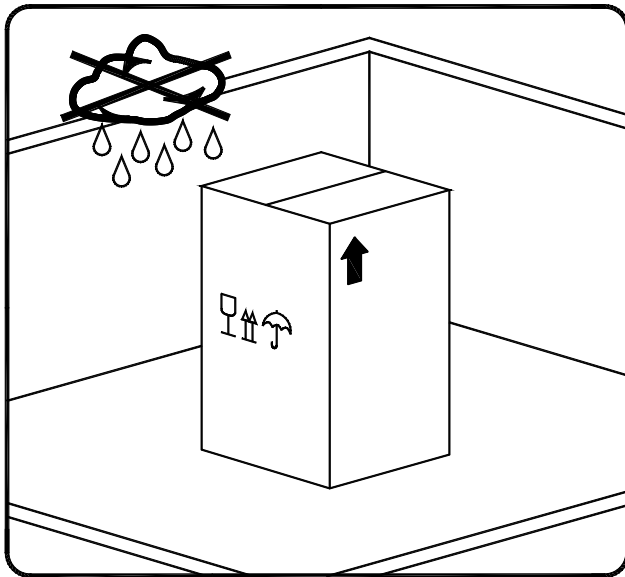
The PID sensor shows the overall concentration of all photoionisable compounds contained in the sample and does not differentiate between individual components/substances. Even hydrocarbon compounds with less than six carbon atoms (<C₆) can be detected, e.g. isobutene. However, this requires these molecules to be ionised by the UV lamp.



8 Transport and storage



- During the transport, the permissible temperature of 50°C (storage temperature) must not be exceeded.
- Transport should only take place in the original packaging.
- Protect the device against falls or excessive vibrations.



Protect the device against atmospheric influences even when packaged.

The METPOINT® OCV must be protected against falls and excessive vibrations at the place of storage.

Store the METPOINT® OCV in the original packaging in a closed, frost-protected room at a maximum temperature of +50°C and an air humidity of max. 75%.

If the storage period exceeds 12 months, you should contact the manufacturer.

The installation and operating instructions should be kept with the device!

9 Unpacking

After having checked the soundness of the outer packaging, set up and unpack the device in close proximity to the selected places of installation of the sensor and the evaluation unit.



For the connection to the sensor unit, do not touch the probe without wearing oil- and grease-free gloves (textile gloves are recommended). A fingermark on the probe or in the measuring zone can affect the measuring results or lead to false measurements.

Handle the device with due care.

Strong shocks cause irreparable damage.

When not directly employing the METPOINT® OCV, keep the device in the original packaging!

The installation and operating instructions should be kept with the device!



The packaging consists of recycled material.

Dispose of each individual material separately in accordance with the local provisions.

10 Installation

For safe operation and functionality, all indications and advice given in the installation and operating instructions must be adhered to. In addition, the statutory provisions and safety regulations required for the respective case of application need to be observed during employment. This applies accordingly when accessories are used.

10.1 Place of installation



CAUTION!

Ambient conditions!

Choose a place of installation which cannot impair the specified function of the METPOINT® OCV.

Installation in ambient conditions which are not suitable affects the measuring results and can lead to malfunctions and damage to the sensor.

The device must not be operated in an explosive environment or in areas with high fire danger, near aggressive chemicals and superheated steam, in a very hot environment or in strongly contaminated zones.



Do **not use water** for **fire fighting** on or in the vicinity of the METPOINT® OCV.

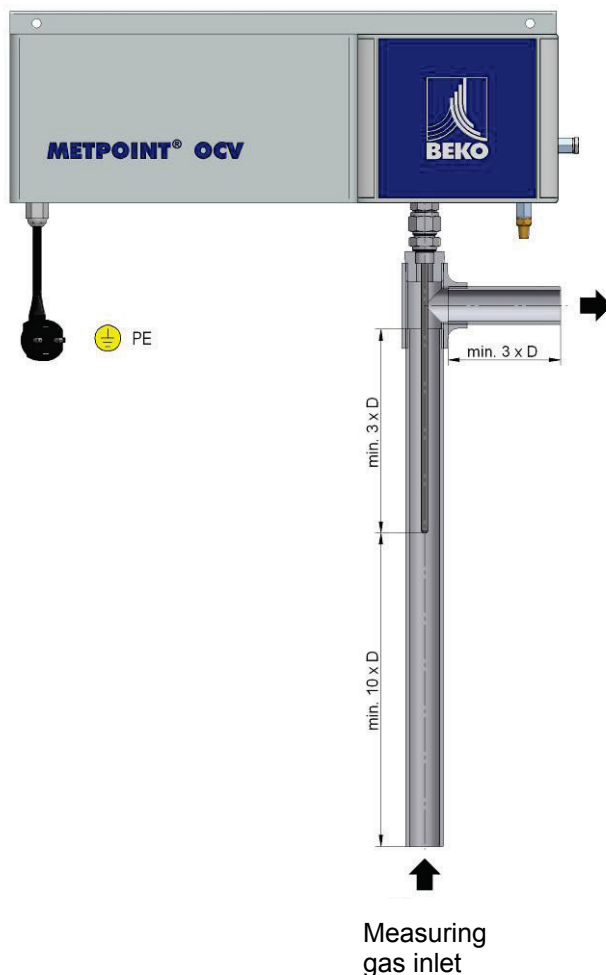
Basic requirements regarding the installation:



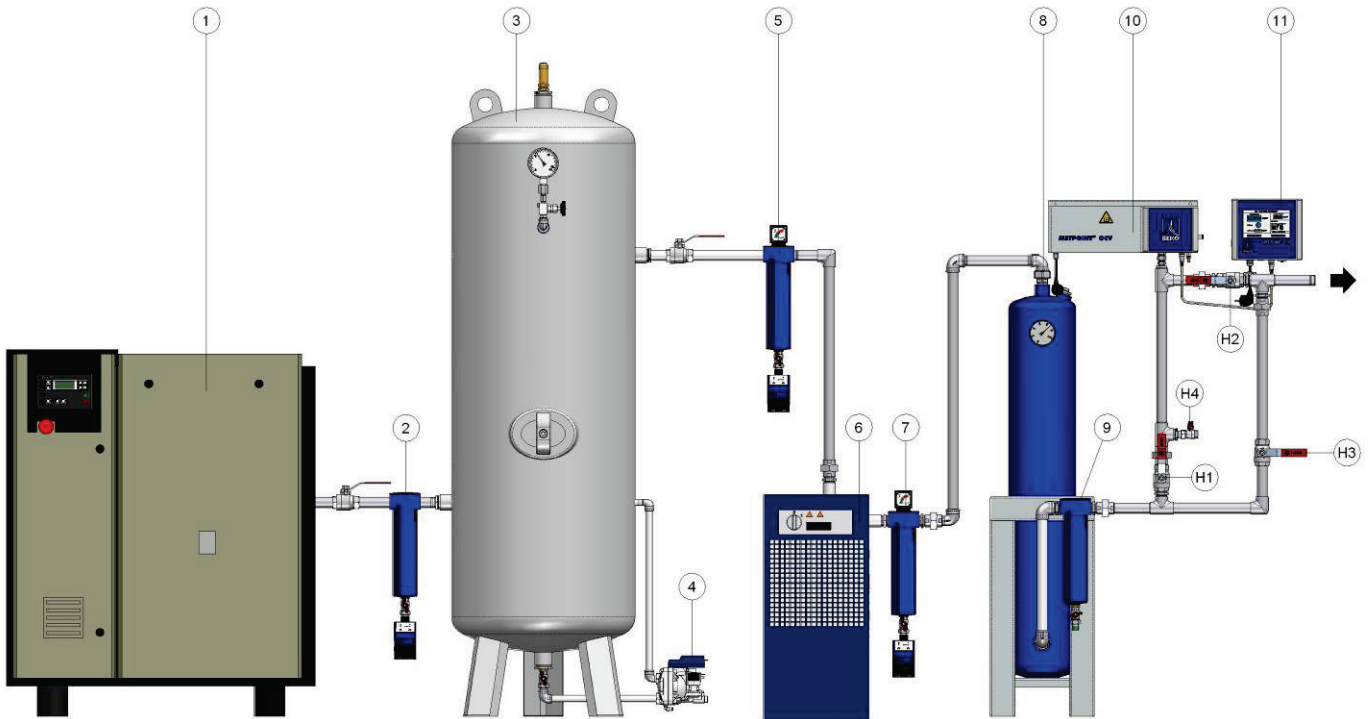
The measuring gases must be free from dust and water when supplied to the METPOINT® OCV measuring device. Therefore, gas processing adjusted to the measurement task is required in most application cases.

Choose a clean, dry and dust-free room which is protected against storm.

- The METPOINT® OCV must not be employed in a hazardous area!
- The measuring section must meet the following requirements:
 - centric probe seating
 - made of stainless steel
 - oil- and grease-free
 - dimensions in accordance with the BEKO provisions
 - inflow towards the probe from the bottom to the top (see flow direction)
- The measuring section must be installed vertically.
- The employment of an original BEKO measuring section is recommended.
- The installation of a bypass (see Chapter 10.5) or of a ball valve between the sensor unit and the measuring section is recommended.
- Ambient temperature (sensor unit) +5°C to 45°C.
- Ambient temperature (evaluation unit with user interface) +5°C to +50°C.
- The maximum pressure dew point of +10°C must not be exceeded.
- Other connection possibilities and measuring methods are possible, depending on the respective application. Please contact us in this regard.



10.2 Installation diagram METPOINT® OCV with activated carbon adsorber



- 1 Compressor
- 2 Cyclone separator with BEKOMAT
- 3 Compressed-air tank
- 4 BEKOMAT for the tank drainage
- 5 Fine filter (F) with BEKOMAT
- 6 Minimum requirement: refrigeration dryer
- 7 Super-fine filter (S) with BEKOMAT
- 8 Activated-carbon adsorber
- 9 Dust filter (S) with manual drain
- 10 Sensor unit METPOINT® OCV
- 11 Evaluation unit with user interface (display) METPOINT® OCV
- H1/H2 Shut-off valves of the measuring section
- H3 Shut-off valve of the bypass
- H4 Vent valve of the measuring section

Oil- and grease-free zone

The depicted installation shows the minimum requirement of the METPOINT® OCV in combination with an activated-carbon adsorber. Other types of installation are possible (provided that they meet the defined operating conditions).

For service measures, it is recommended to install a bypass at the METPOINT® OCV. This applies generally to all components to be serviced in compressed-air systems.

Please observe that this bypass must also be free from oil and grease!

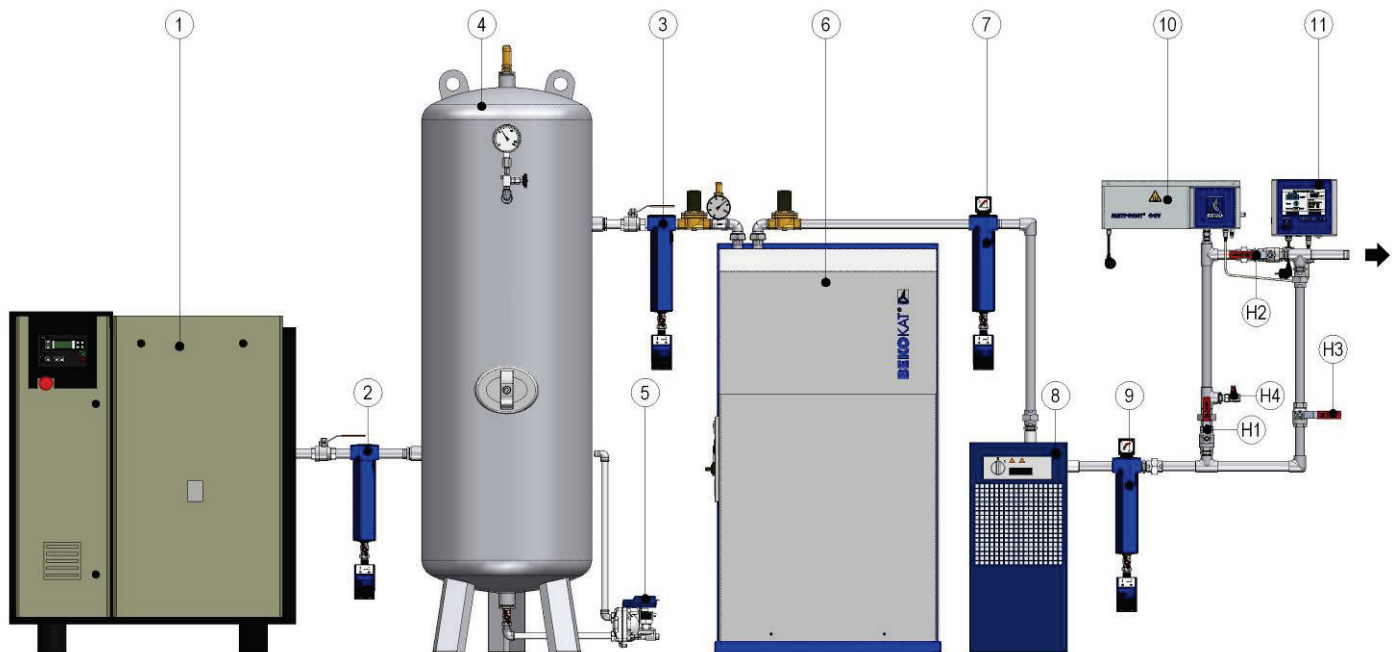


CAUTION!

Contaminated input air – inferior operating conditions!

When employing the METPOINT® OCV under inferior operating conditions, the device can be contaminated, damaged or destroyed!

10.3 Installation diagram METPOINT® OCV with BEKOKAT



- 1 Compressor (oil-lubricated)
 - 2 Cyclone separator with BEKOMAT
 - 3 Universal filter (G) with BEKOMAT (OPTIONAL at strongly contaminated compressed air)
 - 4 Compressed-air tank
 - 5 BEKOMAT for the tank drainage
 - 6 BEKOKAT
 - 7 Dust filter (F) with BEKOMAT
 - 8 Minimum requirement: refrigeration dryer
 - 9 Super-fine filter (S) with BEKOMAT
 - 10 Sensor unit METPOINT® OCV
 - 11 Evaluation unit with user interface (display) METPOINT® OCV
- H1/H2 Shut-off valves of the measuring section
H3 Shut-off valve of the bypass
H4 Vent valve of the measuring section
- Oil-and grease-free zone

The depicted installation shows the minimum requirement of the METPOINT® OCV in combination with a BEKOKAT. Other types of installation are possible (provided that they meet the defined operating conditions).

For service measures, it is recommended to install a bypass at the METPOINT® OCV. This applies generally to all components to be serviced in compressed-air systems.

Please observe that this bypass must also be free from oil and grease!

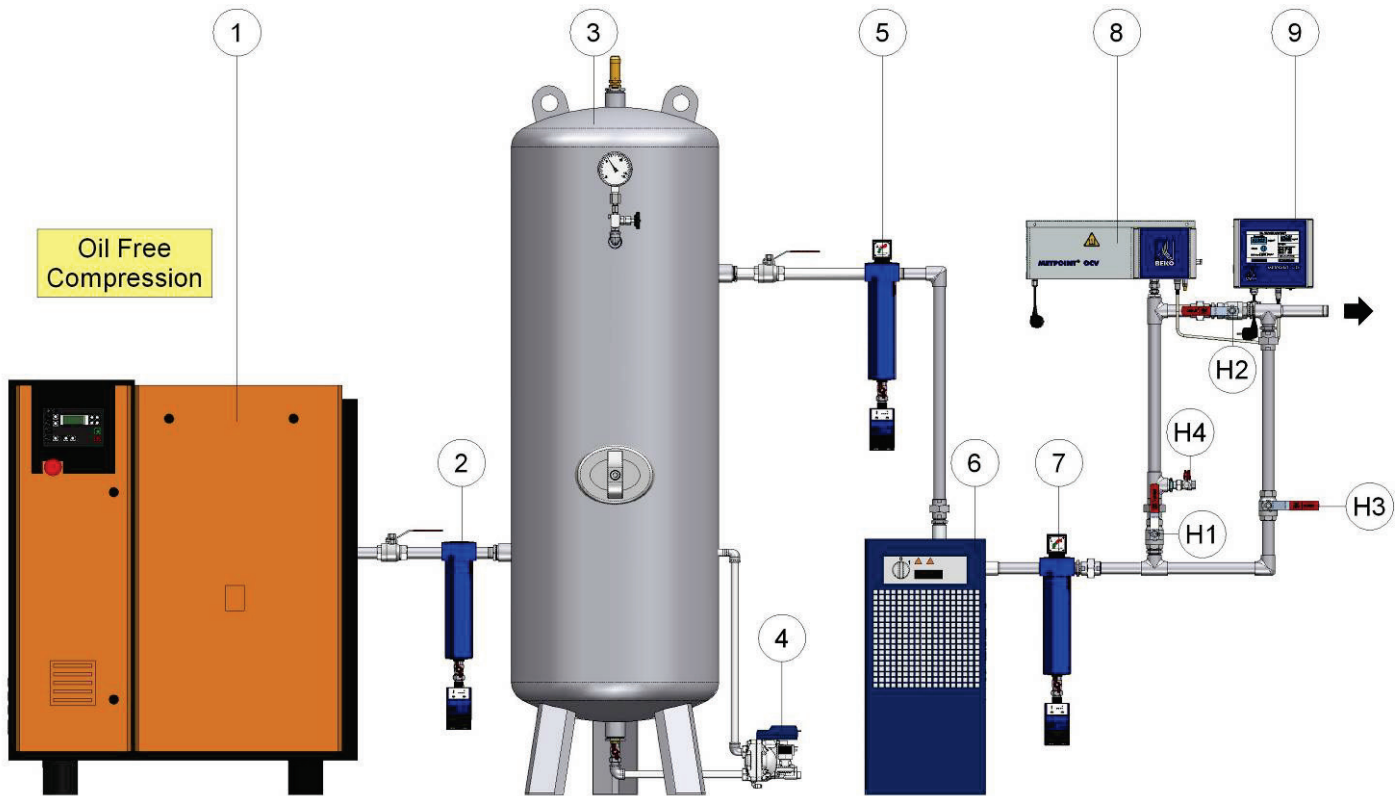


CAUTION!

Contaminated input air – inferior operating conditions!

When employing the METPOINT® OCV under inferior operating conditions, the device can be contaminated, damaged or destroyed!

10.4 Installation diagram METPOINT® OCV with oil-free compression



- 1 Compressor with oil-free compression !
- 2 Cyclone separator with BEKOMAT
- 3 Compressed-air tank
- 4 BEKOMAT for the tank drainage
- 5 Universal filter (G) with BEKOMAT
- 6 Minimum requirement: refrigeration dryer
- 7 Super-fine filter (S) with BEKOMAT

- 8 Sensor unit METPOINT® OCV
- 9 Evaluation unit with user interface (display) METPOINT® OCV
- H1/H2 Shut-off valves of the measuring section
- H3 Shut-off valve of the bypass
- H4 Vent valve of the measuring section

The depicted installation shows the minimum requirement of the METPOINT® OCV in combination with a compressor with oil-free compression. Other types of installation are possible (provided that they meet the defined operating conditions).

For service measures, it is recommended to install a bypass at the METPOINT® OCV. This applies generally to all components to be serviced in compressed-air systems.

Please observe that this bypass must also be free from oil and grease!



CAUTION!

Contaminated input air – inferior operating conditions!

When employing the METPOINT® OCV under inferior operating conditions, the device can be contaminated, damaged or destroyed!

10.5 Installation of METPOINT® OCV downstream of an activated-carbon filter

When installing METPOINT® OCV downstream of an activated-carbon filter, reading-out/monitoring of the measured values should be carried out at an interval which is adapted to the shorter maintenance interval of the activated-carbon filter. This installation variant also requires the compliance with the specifications of Chapter 9.1.

**CAUTION!****Contaminated input air – inferior operating conditions!**

When employing the METPOINT® OCV under inferior operating conditions, the device can be contaminated, damaged or destroyed!

10.7 Installation steps



The METPOINT® OCV measuring devices must only be installed and used by qualified and authorised personnel, and exclusively in accordance with the technical data.



For the connection to the sensor unit, do not touch the probe without wearing oil- and grease-free gloves (textile gloves are recommended). A fingermark on the probe or in the measuring zone can affect the measuring results or lead to false measurements.



Prior to installation, allow compressed air to flow off for a short period of time to remove condensate and particles. This will prevent the unnecessary contamination of the probe and of the sensor unit.



NOTE!

Strong variations of the ambient temperature, also during transport and storage can lead to damage to the device or to incorrect measuring results.



Please make sure that the METPOINT® OCV device is unpacked and stored approximately three hours prior to installation at the place of installation so as to allow the temperature adaption to the ambient temperature. During this period, the sensor unit must not be connected to the power supply. Careful observance of this point is imperative in particular in the case of major temperature differences between the transport / place of storage and the place of use.



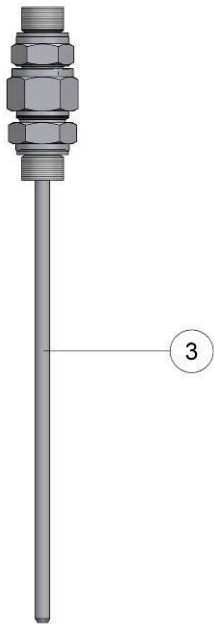
The reference gas generation unit requires a pre-heating time of approx. two hours. Only after this pre-heating time has expired may compressed air flow through the METPOINT® OCV device. To reduce the waiting time, the sensor unit can be connected to the power supply at this time.

Unpacking of the METPOINT® OCV (steps 1 – 3)

1. Please wear clean (oil-and grease-free) gloves during the entire installation of the METPOINT OCV®.
2. Please take the probe (3) of the METPOINT® OCV from the packaging and make sure that you do not yet remove the sheet package of the sampling probe.
3. Please keep the supplied documentations in a safe place.

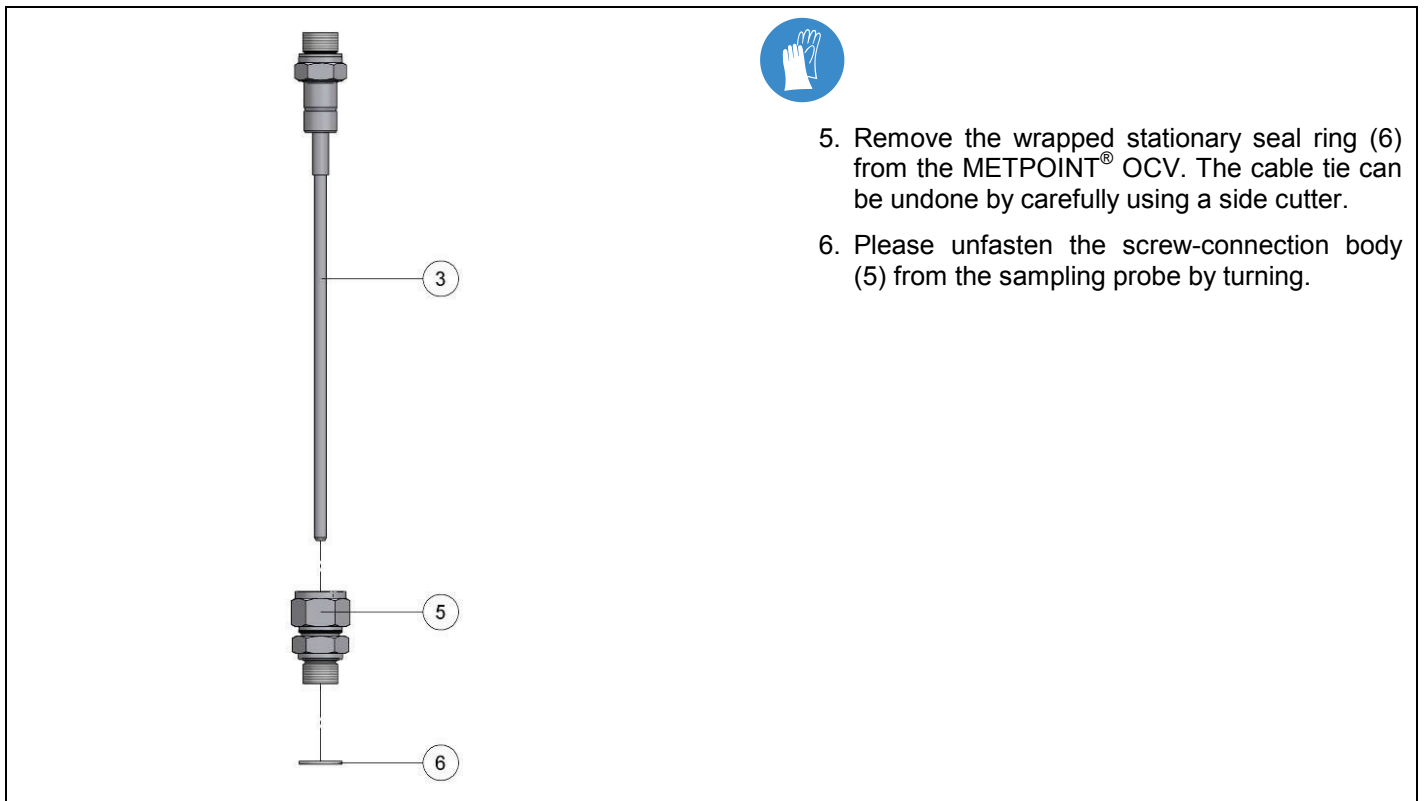
Installation

Removal of the sheet package (step 4)



4. Prior to removing the sheet, please make sure to wear oil- and grease-free gloves and see that the probe is not damaged during the removal.

Unfastening of the stationary seal ring and of the screw-connection body (steps 5 – 6)



5. Remove the wrapped stationary seal ring (6) from the METPOINT® OCV. The cable tie can be undone by carefully using a side cutter.
6. Please unfasten the screw-connection body (5) from the sampling probe by turning.

Mounting of the stationary seal ring and of the screw connection body (steps 7 – 8)



DANGER!

Overpressure!

Observe the type plate indications regarding the maximum pressure!



It is imperative that the compressed-air line is pressureless prior to installation!



DANGER!

Compressed air!

The process steps described in the following must be carried out by correspondingly qualified personnel. Never carry out works on a plant which is under pressure.



The user must ensure that the METPOINT® OCV is never operated at a pressure exceeding the value indicated on the type plate. Exceeding the maximum operating pressure can cause both injuries and severe damage to the measuring device.



The sampling probe has a G 3/8" internal thread connection. Other connections are possible for custom-made special probes.

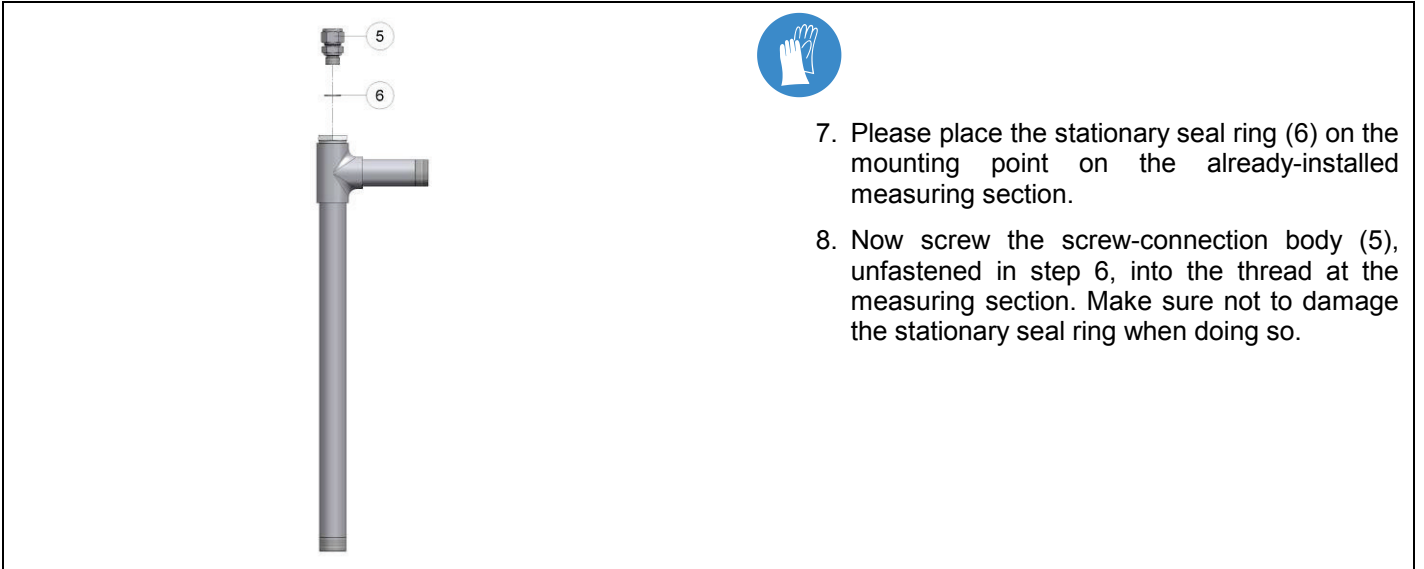
The sampling probe must be installed vertically in the rising main.

Touch the sampling probe only at the upper part, in front of the housing. Hands/fingers exude grease which may lead to incorrect measuring results.

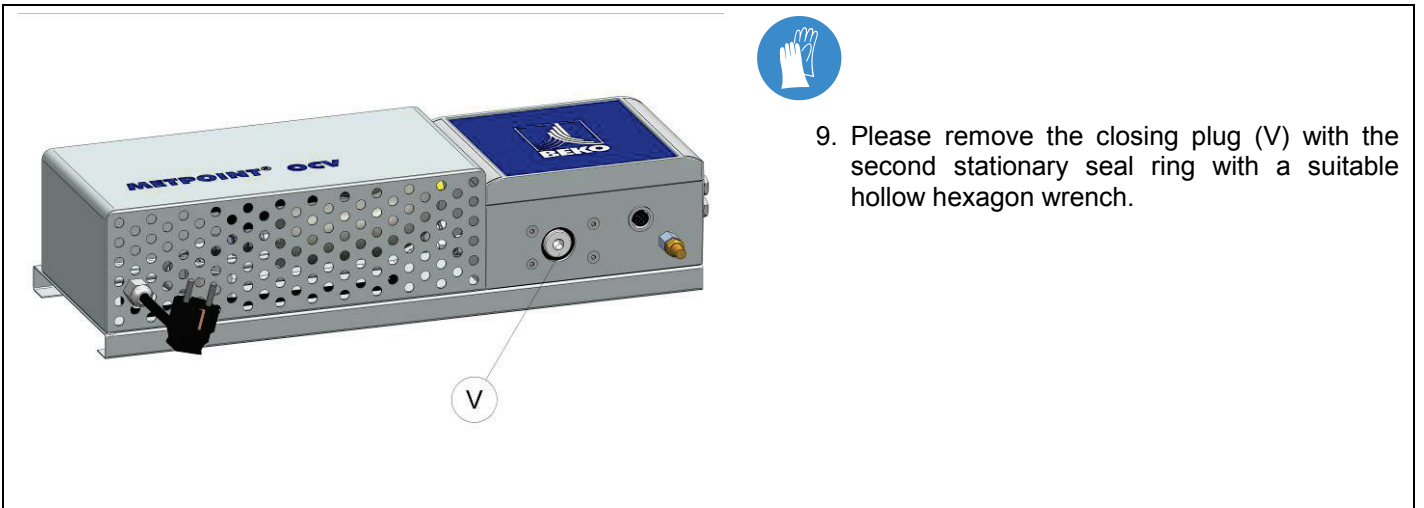
The reference gas generation unit requires a pre-heating time of approx. two hours. Only after this pre-heating time has expired may compressed air flow through the device.

Installation

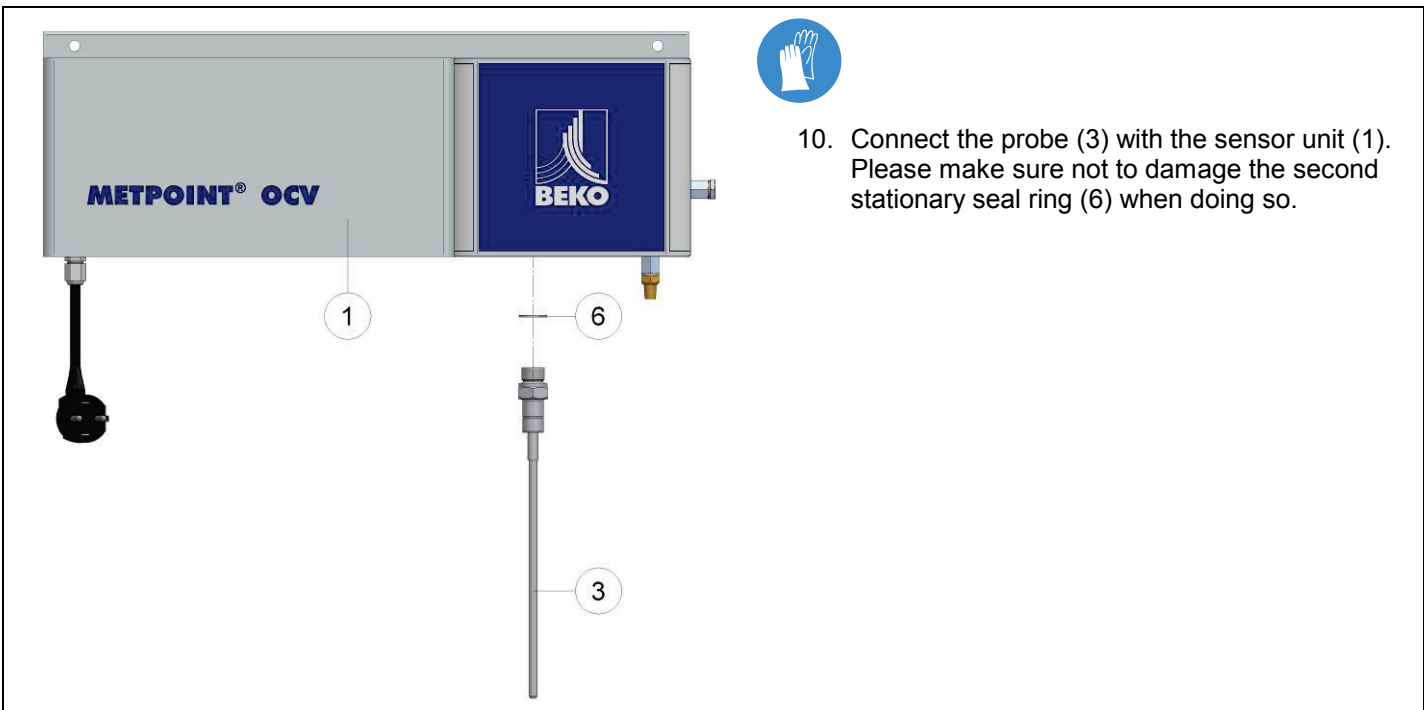
Mounting of the stationary seal ring and of the screw-connection body (steps 7 – 8)



Removal of the probe closure (step 9)



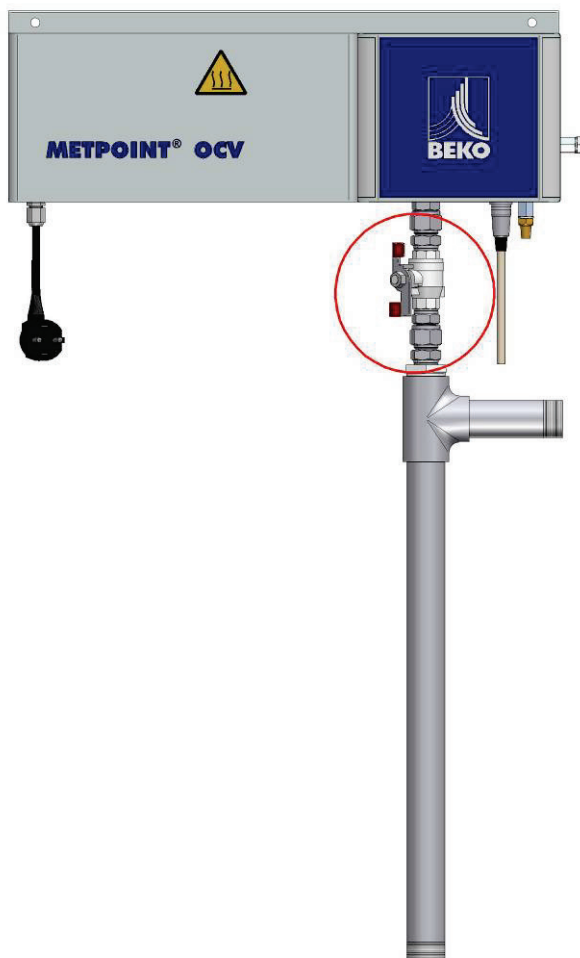
Connection of the probe with the sensor unit and mounting of the stationary seal ring (step 10)



Installation of the sensor unit (steps 11 – 14)



11. Please screw the union nut (4) carefully onto the screw-connection body (5) until the nut is finger-tight.
12. Turn the sensor unit (1) with the probe (3) into the desired position.
13. Now tighten the union nut (4) by means of an SW 22 open-ended spanner with a quarter turn in clockwise direction.
14. Using an SW 24 open-ended spanner which is applied to the screw-connection body (5), you will prevent twisting of the sensor unit (1).



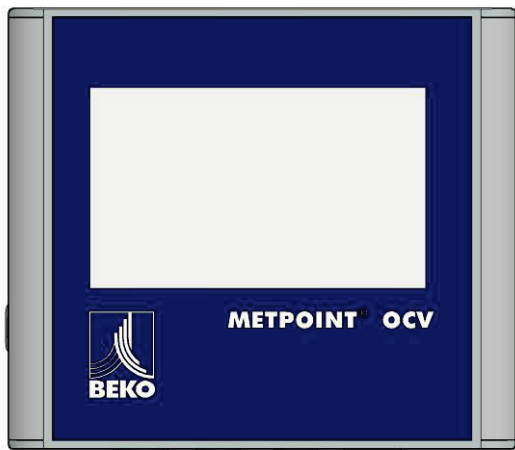
Option:

Stainless steel ball valve with wing
 Connection 3/8"
 Oil- and grease-free

You will find installation instructions in the Appendix.

Installation

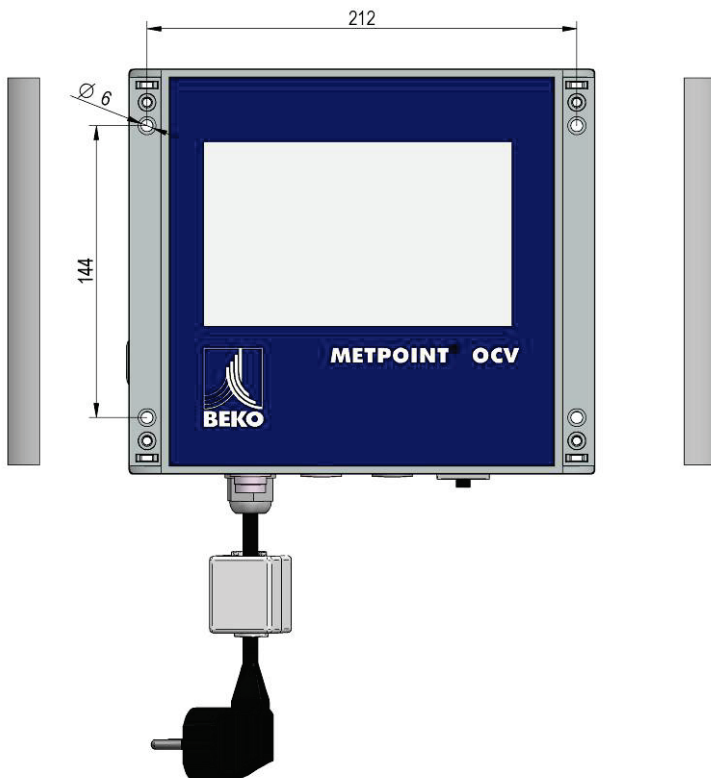
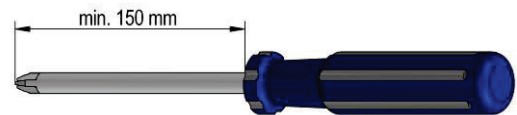
Installation of the evaluation unit (steps 15 – 19)



15. Determine the place of installation of the evaluation unit, taking into account the available length of the signalling cable.
16. The standard length is 5 m
17. Drill four mounting holes as illustrated here for the respective fitting screws.
18. Prior to mounting the device, the lateral panels covering the screwing zone must be levered out carefully.
19. Fix the housing of the evaluation unit on the wall in the vicinity of the probe. For this purpose, use the four through bores \varnothing 6 mm.

You will find a hole director in the Appendix to these operating instructions.

Make sure that a screwdriver with a sufficiently long shaft is available.



WARNING!

Unauthorised intervention!

Unauthorised interventions may endanger persons or plants and lead to a malfunction.

Damaging the sealing of the housings of the sensor unit and the evaluation unit invalidates the warranty.

Connection of the measuring cell with the evaluation unit (step 20)

20. Connect the evaluation unit with the sensor unit using the supplied signalling cable (10). The ferrite must be connected on the side of the evaluation unit.

Please make sure prior to connecting the signalling cable that both units are disconnected from the power supply.

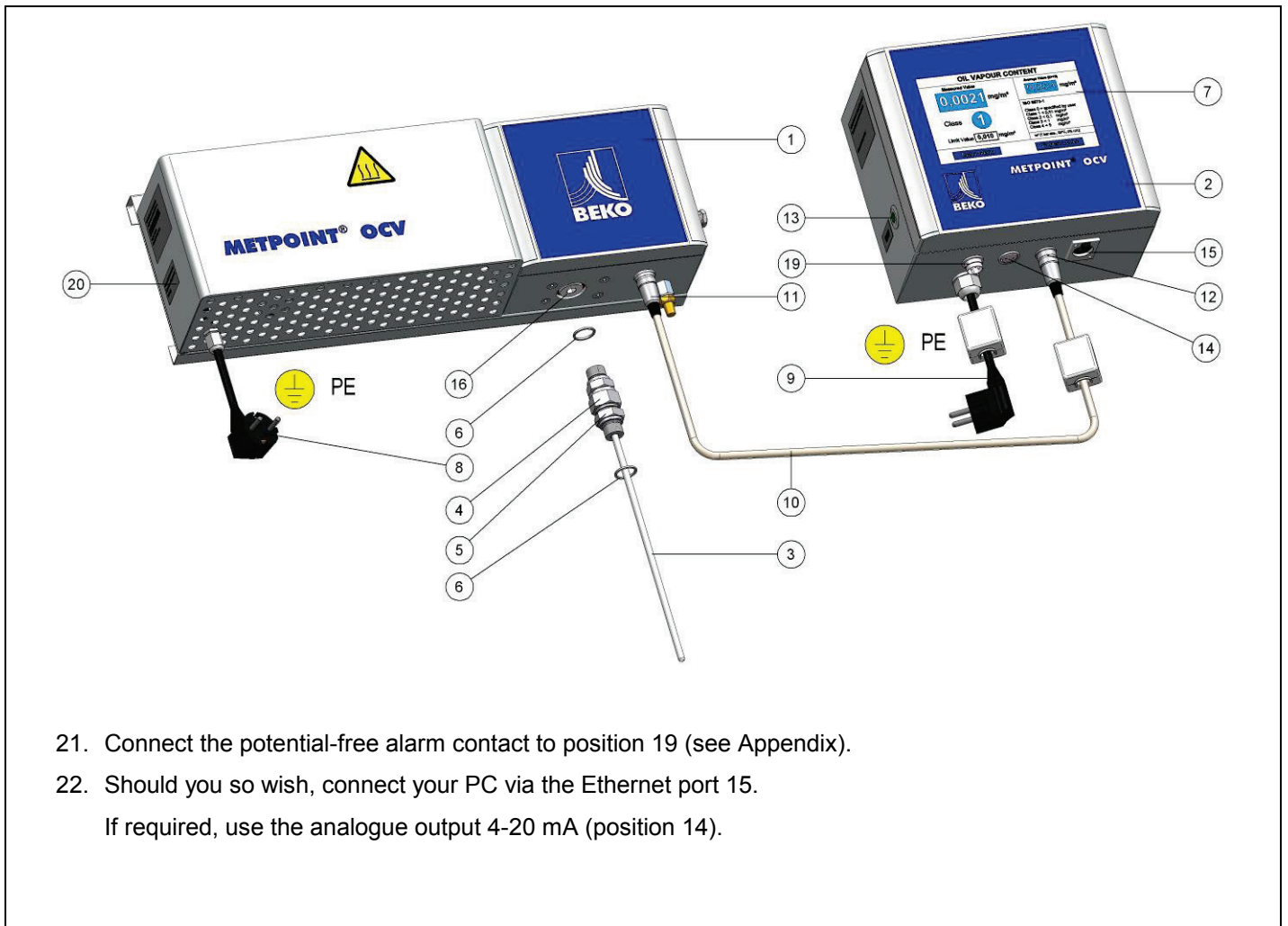
Protection against damage through electrostatic charging

The device contains electronic components which may be sensitive to electrostatic discharge (ESD). The contact with electrostatically-charged persons or objects compromises these components. In the worst case, they are immediately destroyed or will fail subsequent to the start-up.

Observe the requirements stipulated in EN 100015-1 to minimise or prevent the possibility of damage through sudden electrostatic discharge. Please also make sure not to touch the electronic components while supply voltage is applied.

Installation

Connections for the remote transmission of data and alarm signals (steps 21-22)



21. Connect the potential-free alarm contact to position 19 (see Appendix).
22. Should you so wish, connect your PC via the Ethernet port 15.
If required, use the analogue output 4-20 mA (position 14).

Connection of the evaluation unit to the power supply (step 23)



DANGER!

Supply voltage!

Contact with non-insulated parts carrying supply voltage involves the risk of an electric shock resulting in injuries and death.

The connection to the electric mains and the corresponding protective equipment must comply with the legal provisions in force at the place of installation of the METPOINT® OCV; the connection and installation must be carried out by specialists who are qualified accordingly.

Make sure that no parts of the measuring devices are energised and that the devices cannot be connected with the electric supply mains during service measures.



DANGER!

Missing earth connection!

When the earth connection (protective earth) is missing, there is the risk in the event of malfunction, that contactable, conductive components may carry supply voltage. Touching of such parts leads to an electric shock with injuries and death.

It is imperative to connect the plant to earth or to connect the protective conductor according to the regulations.

Do not use plug adapters at the power plug.

Have the power plug replaced by qualified skilled persons, if required.



DANGER!

Missing separator!

All voltages representing a hazard when coming into contact with them must be disconnectable via assigned separators that need to be installed externally.
 The separator must be installed in the vicinity of the device.
 The separator needs to correspond to IEC 60947-1 and IEC 60947-3.
 The separator must separate all voltage-carrying conductors.
 The separator must not be installed in the power supply line.
 The separator must be easily accessible for the user.



Prior to establishing the connection with the electric mains, the housing of the evaluation unit with user interface (display) and the sensor unit must be connected with the supplied signalling cable!

11 Start-up



NOTE!

Exceeding of the operating data!

Make sure that the operating parameters comply with the data indicated on the type plate and in the operating instructions of the METPOINT[®] OCV (voltage, frequency, air pressure, pressure dew point, air temperature, ambient temperature, etc.).

All METPOINT[®] OCV measuring devices are carefully tested and controlled prior to delivery. For this purpose, the actual operating conditions are simulated. Apart from this, it can happen that the measuring device is damaged during the transport. Therefore, we recommend you examine the specified function of the METPOINT[®] OCV in detail subsequent to delivery and during the first hours of operation.



The start-up must be carried out by qualified and authorised skilled persons.



It is vital that the technician carrying out the start-up uses safe tools and that he proceeds in accordance with the local safety and accident prevention regulations. The technician is responsible for the proper and safe operation of the METPOINT[®] OCV. The METPOINT[®] OCV must not be started up while the housing covers are removed or open.

Please observe the following advice during the first start-up, each time after a longer downtime, or subsequent to maintenance or calibration. The initial start-up or the re-start must only be carried out by qualified and authorised skilled persons.



DANGER!

Supply voltage!

The connection to the electric mains and the corresponding protective equipment must comply with the legal provisions in force at the place of installation of the METPOINT[®] OCV; the connection and installation must be carried out by specialists who are qualified accordingly.

11.1 General advice regarding the installation

Please observe prior to installation:

- Comply with the following admissible operating conditions:
 - Operating pressure
 - Compressed-air and ambient temperature
 - Moisture content of the compressed air
 - Location.
- Connect suitable filters ahead to ensure the cleanliness of the operating medium.
- Observe the installation position (see Chapter 5).
- Observe the permissible deviation of the supply voltage.
- Remove dirt from the pipes prior to the installation of the METPOINT® OCV.
- Proceed in the described order when starting up a METPOINT® OCV.

1. Mechanical installation

- Make sure that all advice given under "installation" was observed.
- Make sure that the compressed-air connections and all conduit pipes are securely screwed.

2. Preparation METPOINT OCV

- Please make sure that the METPOINT® OCV device was stored approximately three hours prior to installation at the place of installation so as to allow the temperature adaption to the ambient temperature. During this period, the sensor unit must not be connected to the power supply.

3. Electrical installation

- Make sure that the connection between the evaluation unit with user interface (display) and the sensor unit was established with the supplied signalling cable.
- Establish the connection with the power supply (sensor unit and evaluation unit).
- Make sure to switch on the power supply of the sensor unit and the evaluation unit.
- **The reference gas generation system requires a pre-heating time of approx. two hours. Only after this pre-heating time has expired may compressed air flow through the METPOINT OCV.**
- Insufficient pre-heating of the reference gas generation system would result in unstable measured values.
- The power plugs serve as a separation line. In this function, they must be freely accessible at all times.

4. Loading with operating medium

- Slowly open the air inlet valve and slowly pressurise the pipe. Otherwise, the device can be damaged.
- Check the system for its tightness!

5. Settings (see Chapter 10.2, page 37 and Chapter 10.3, page 43)

- Choose the oil or the gas type
- Set the alarm value
- Start measurement

6. Normal operation

11.2 Procedure settings

This chapter as well as the following chapters describe the required settings, how the settings are implemented and which messages may appear on the display.

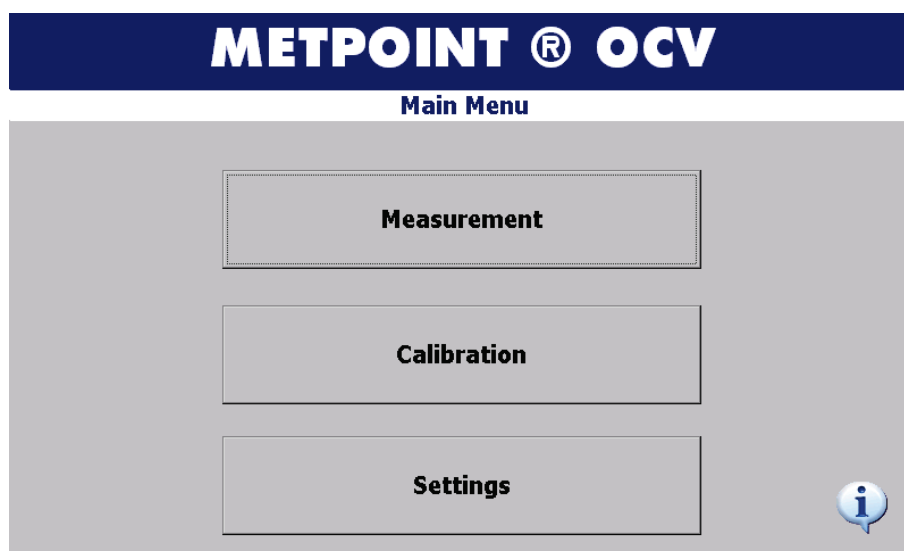
Furthermore, you will find advice and recommended actions regarding the settings to be chosen.

Subsequent to switching-on the power supply of the evaluation unit, the operating system requires approx. 30 seconds to start the system. The following start screen will appear:



Subsequently, the device will switch over to the main menu. You can now make all required settings. For this purpose, please follow the procedure on the next pages.

Using the password



To get access to several selection and setting levels of the METPOINT® OCV, it is necessary to enter a password.

Start-up

If the password needs to be entered, the following selection box will appear on the display:

OIL VAPOUR CONTENT

Measured Value: **0.0017** mg/m³

Avg. Value (Z=10): **0.0008** mg/m³

Class: **3-1**

Limit Value: **0.017** mg/m³

Class list:
= user specified
≤ 0.01 mg/m³
≤ 0.1 mg/m³
≤ 1 mg/m³
≤ 5 mg/m³

m³ [1 bar abs., 20°C, 0% r.H.]

0	1	2	3	4	.	<-
5	6	7	8	9	CLEAR	OK

- Enter the password "**04321**".
- Confirm with "OK" in the selection window.
- Confirm with "OK" below the password.

Subsequently, the selected submenu will open and you may continue with your selection/settings.

Main menu

Firstly, please choose "**SETTINGS**".

METPOINT ® OCV

Main Menu

Measurement

Calibration

Settings

i

AUTOSTART

Autostart Measurement

Always select "Autostart". When choosing this function, measurement will begin automatically with the selected and adjusted values at the start or re-start of the device.

After an interruption of the power supply, for example, an autostart takes place after 42 seconds. In this case, the pre-adjusted values are retrieved for measurement.

Compressor Oils

Choose the oil type used in your compressor. Should this oil type not have been entered, please choose between

- mineral oil and
- synthetic oil

METPOINT® OCV

Settings

Autostart | DateTime | Network | TouchScreen | Update | Service | ScientificMode

Autostart Measurement

Compressor Oils

Shell S 46 DIN 1945

Other Hydrocarbons

Isobuten DIN 1343

OK Cancel

Start-up

DATE AND TIME

After having adjusted the date and time, please click on "Set".

A click on OK does not lead to the storage of date and time (as the only exception), as it is not foreseeable, how long the user will stay in the menu after the setting.

The screenshot shows the 'Settings' dialog box for METPOINT OCV, with the 'DateTime' tab selected. The dialog has a title bar with tabs: Autostart, DateTime, Network, TouchScreen, Update, Service, and ScientificMode. The main area contains a date field set to '6/19/2009', two time fields set to '13' and '03', and a 'Set' button. At the bottom right are 'OK' and 'Cancel' buttons.

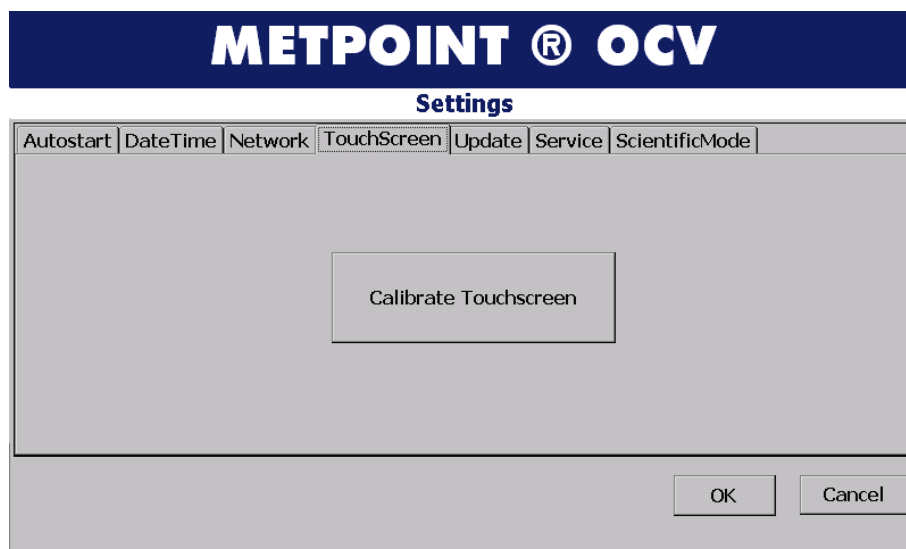
NETWORK

Mark the selection box "Automatic (DHCP)", for example. For further settings, please observe our separate instructions.

The screenshot shows the 'Settings' dialog box for METPOINT OCV, with the 'Network' tab selected. The dialog has a title bar with tabs: Autostart, DateTime, Network, TouchScreen, Update, Service, and ScientificMode. The main area shows network configuration options: 'Automatic (DHCP)' (checked) and 'Manual' (unchecked). Below are input fields for IP Address (192.168.1.217), Subnet Mask (255.255.255.0), Gateway (192.168.1.217), and DNS Server (202.96.128.86). A yellow box contains instructions about DHCP and MAC Address, with a MAC Address field showing '00-50-C2-AD-C0-6E'. At the bottom right are 'OK' and 'Cancel' buttons.

TOUCHSCREEN (USER INTERFACE)

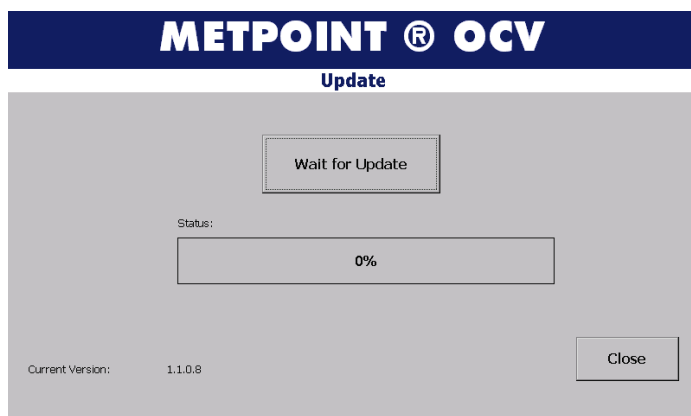
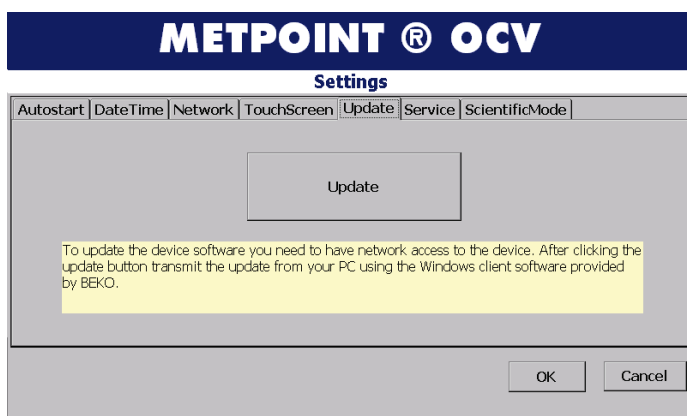
Click on "Calibrate Touchscreen" and follow the instructions on the display.



UPDATE

To install a new software version, the device must be connected with a PC/notebook via the network tap and the Windows software started on a PC/notebook.

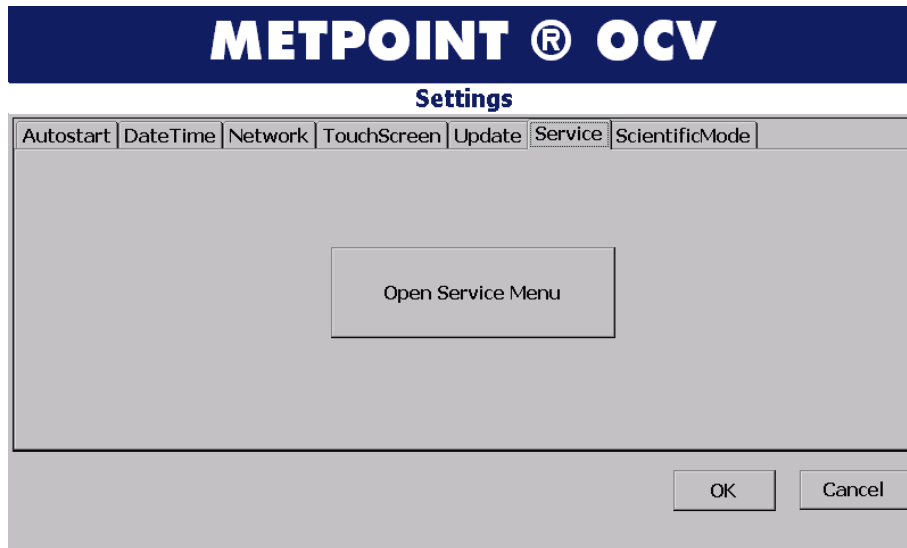
- Click on "Wait for Update" at the device
- Choose the respective device on the PC and start the update
- Wait until the message appears at the device informing you that the update has been completed.



Start-up

SERVICE

This menu item is protected with a password. Access is only allowed to BEKO SERVICE or to authorised skilled personnel.



SCIENTIFIC MODE (SPECIAL MODE)

When this function is activated, measurement takes place via calibration gas connection "C" and zero air connection "Z". The measuring gas connection "M" needs to be closed. The "PURIFICATOR" reference gas generation unit is not used in this mode. In the "Measurement" menu, when selecting the gas type, a warning will inform you that this mode is activated.

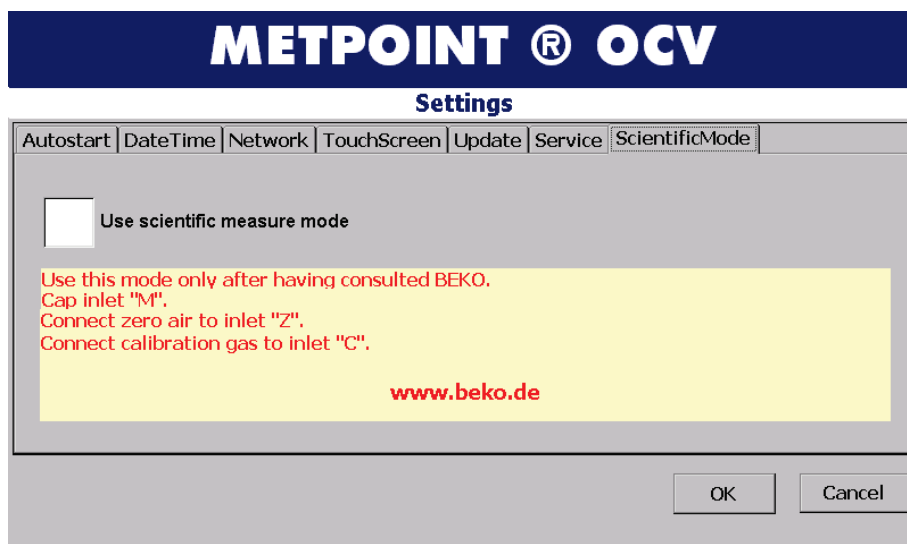


NOTE!

Please use this mode only after prior consultation with BEKO. Close measuring gas connection "M". Connect zero air to "Z". Connect measuring gas to "C".

The max. permissible operating pressure in the scientific mode is 3 bar(g).

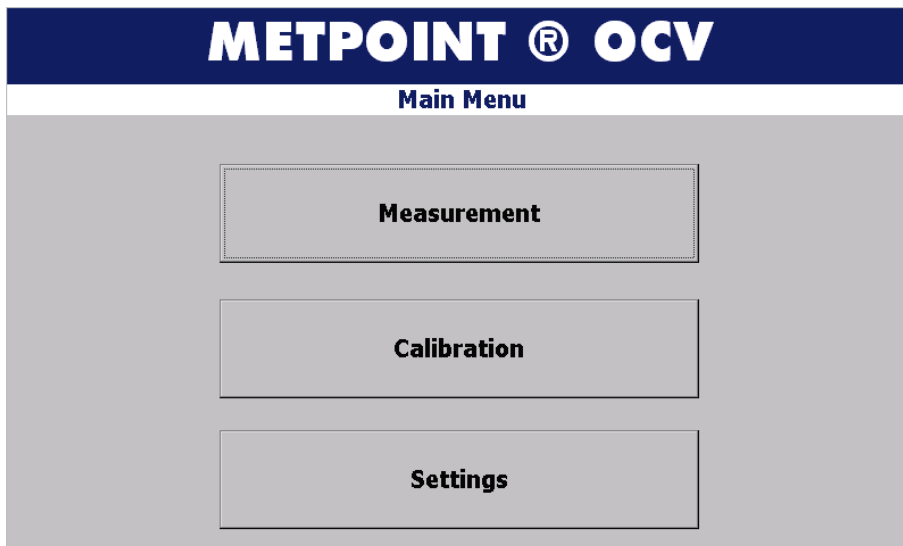
Now confirm your settings with OK.



11.3 Procedure start measurement

Main menu

Please select the "Measurement" menu item.



Make your choice between "Compressor Oils" or "Other Hydrocarbons".

Click on the corresponding substance in the related select list. The other select list is disabled.

When choosing "Custom Oil", oil with a self-calculated factor can be measured.

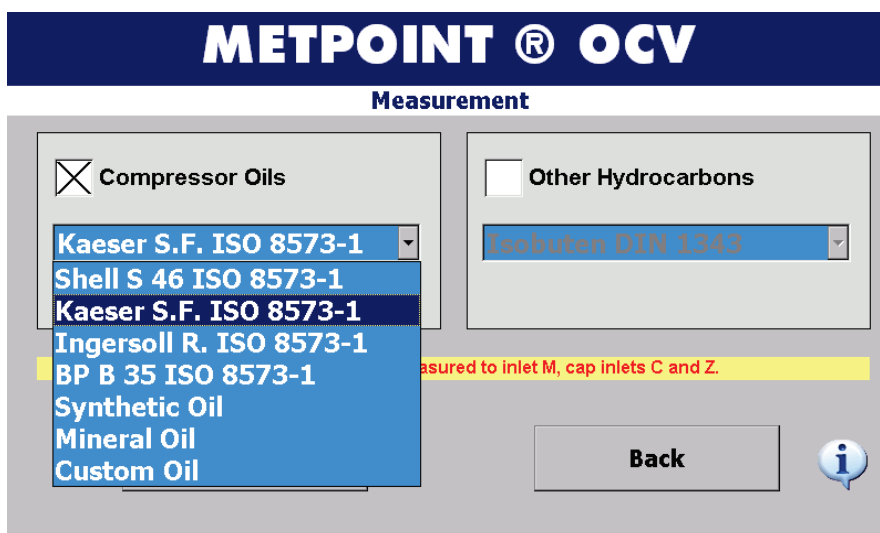
When the "ScientificMode" (Settings->ScientificMode) is activated, a corresponding warning is shown.



NOTE!

Please use this mode only after consultation with BEKO. Close measuring gas connection "M". Connect zero air to "Z". Connect measuring gas to "C".

The max. permissible operating pressure in the scientific mode is 3 bar(g).



Start-up

Click "Start" to start the measurement.

METPOINT® OCV

Measurement

Compressor Oils

Shell S 46 ISO 8573-1

Other Hydrocarbons

Isobuten DIN 1343

Please connect air to be measured to inlet M, cap inlets C and Z.

Start

Back

OIL VAPOUR CONTENT

Measured Value <div style="background-color: #0070c0; color: white; padding: 10px; font-size: 24px; margin: 5px 0;">0.0017</div> mg/m ³	Avg. Value (Z=10) <div style="background-color: #0070c0; color: white; padding: 10px; font-size: 24px; margin: 5px 0;">0.0008</div> mg/m ³
Class <div style="background-color: #0070c0; color: white; border-radius: 50%; width: 40px; height: 40px; display: flex; align-items: center; justify-content: center; margin: 5px 0; font-size: 24px;">1</div>	ISO 8573-1 Class 0 = user specified Class 1 ≤ 0.01 mg/m ³ Class 2 ≤ 0.1 mg/m ³ Class 3 ≤ 1 mg/m ³ Class 4 ≤ 5 mg/m ³
Limit Value <div style="border: 1px solid #ccc; padding: 2px; margin: 5px 0;">0.017</div> mg/m ³	m³ [1 bar abs., 20°C, 0% r.H.]

Main Menu

Expert Level



NOTE!

METPOINT® OCV operates fully automatically. Only after the first measuring cycle has expired (at the latest after five minutes) will the device indicate measured values. Subsequently, the values on the display will reload automatically every two minutes.



At this point, important details regarding the device and the device configuration are available which are required during service measures.

METPOINT® OCV

Device Info for METPOINT_144

VERSION=1.6.5.2 IP=192.168.1.217 DHCP=False DATE=2010/2/12 15:00 ALARM=0.1 LIVELOG=False DEVICEID=144 MANDATE=1009	WREF=60000 WMEAS=60000 CF=0.4135 SF=82.12 USEROFF=False ROFF=0.0035391713174441 SCIENT=False GAIN=8 OVRS=8 OH=170.20 NN=8760 AOUT=True	LIN=True LMODE=Pow LFR1A=29.3 LFR1B=-0.017 LFR1C=-28.36 LFR2A=0 LFR2B=1 LFR2C=0 LFR3A=0 LFR3B=1 LFR3C=0 LFT12=0.005 LFT23=0.05
---	---	--

Start-up

Setting / modification alarm value

To modify the alarm value, proceed as follows:

- Click on the display field of the adjusted limit value to modify it in accordance with your requirements.
- Click on the alarm value. A selection window with digits, CLEAR and OK will appear.

OIL VAPOUR CONTENT

Measured Value 0.0017 mg/m ³	Avg. Value (Z=10) 0.0008 mg/m ³
Class 1	ISO 8573-1 Class 0 = user specified Class 1 ≤ 0.01 mg/m ³ Class 2 ≤ 0.1 mg/m ³ Class 3 ≤ 1 mg/m ³ Class 4 ≤ 5 mg/m ³
Limit Value 0.017 mg/m ³	m³ [1 bar abs., 20°C, 0% r.H.]

Main Menu **Expert Level** ⓘ

- Enter the password "**04321**".
- Confirm with OK in the selection window.
- Confirm with OK below the password.

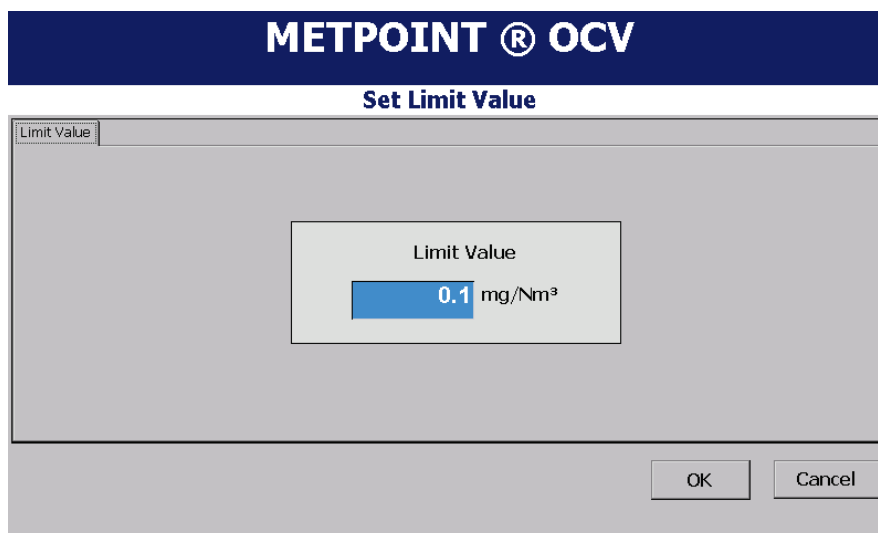
OIL VAPOUR CONTENT

Measured Value 0.0017 mg/m ³	Avg. Value (Z=10) 0.0008 mg/m ³
Class 1	ISO 8573-1 Class 0 = user specified Class 1 ≤ 0.01 mg/m ³ Class 2 ≤ 0.1 mg/m ³ Class 3 ≤ 1 mg/m ³ Class 4 ≤ 5 mg/m ³
Limit Value 0.017 mg/m ³	m³ [1 bar abs., 20°C, 0% r.H.]

Enter Password

0	1	2	3	4	.	<-
5	6	7	8	9	CLEAR	OK

- Click on the alarm value.



- An input field with digits, CLEAR and OK opens.

0	1	2	3	4	.	<-
5	6	7	8	9	CLEAR	OK

- Click on CLEAR to delete the previous alarm value.
- Enter the new alarm value.
- Click on OK in the input field.
- The window will close.
- Confirm the adjusted alarm value with OK.

Measurement will not be interrupted by these setting measures.

Removal from service and uninstalling

12 Removal from service and uninstalling

The removal from service and uninstalling of the METPOINT® OCV is implemented in reverse order to the installation and start-up.



NOTE!

First, make sure that all devices are separated from the power supply and that the pipework is pressureless!

13 Operation



The device must only be operated by correspondingly qualified and authorised operators.



Opening of the sensor unit and improper treatment are not allowed.

Have system performance checks, setting and service measures exclusively carried out by authorised skilled personnel².

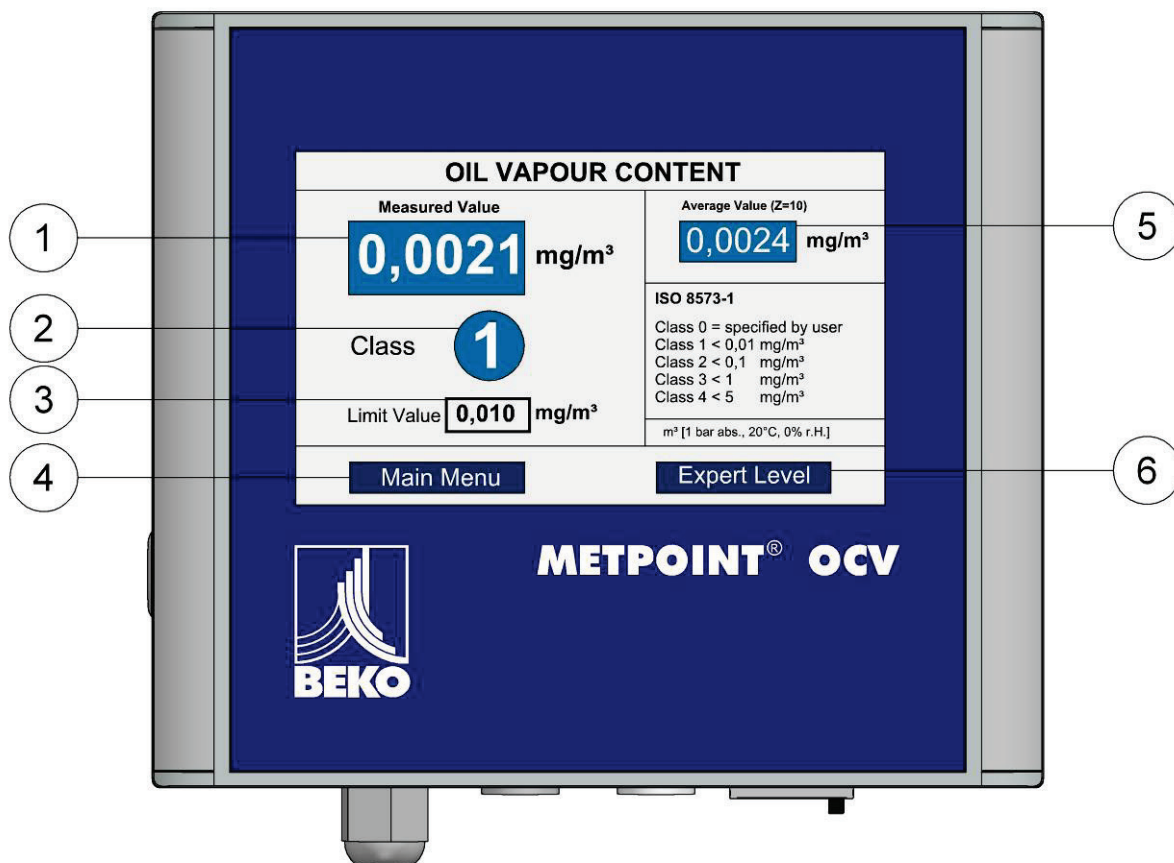


Calibration works can only be implemented by BEKO SERVICE.

² Authorised skilled personnel are persons who are authorised by the manufacturer, with experience and technical training, who are well-grounded in the respective provisions and laws and capable of carrying out the required works and of identifying and avoiding any risks during the machine transport, installation, operation and maintenance.

Qualified and authorised operators are persons who are instructed by the manufacturer regarding the handling of the METPOINT® OCV, with experience and technical training, and who are well-grounded in the respective provisions and laws.

13.1 Control and display elements



- 1 - Indication current measured value
- 2 - Indication classification residual oil content in accordance with ISO 8573-1
- 3 - Indication adjusted alarm value
- 4 - Selection box for main menu
- 5 - Indication of the mean measured value of the past 10 measurements
- 6 - Selection box for service level

13.2 General advice for the operation of the METPOINT® OCV

1. A lack of throughflow can lead to an increase in the residual oil content values.
2. When the system is unpressurised or when there is no compressed-air throughflow, this will be signalled. The screen is red and displays a warning regarding the cause of malfunction, as well as measures for the elimination of faults (see Chapter 12.3).
3. The power supply of the sensor unit must always be connected. Only in this manner can it be guaranteed that the reference gas generation system functions reliably.
4. Read out the measured values of the device at regular intervals of the device's memory by means of the software. Check these values with regard to temporary exceeding of the limit value.
5. The indication of the measured value is updated every two minutes. During this time, measurement continues in the background.
6. Total reset of the device can only be effected through interruption of the power supply.

Please make sure that temperature variations during the operation of METPOINT® OCV are not too strong (or even exceed the admissible temperature range).

The following operating conditions are monitored and indicated on the display as clear text:

- Operating pressure too low
- Measurement range exceeded
- Calibration required
- Sensor test required

You will find the respective indications regarding the aforementioned operating conditions in Chapter 12.3.

13.3 Trouble indications, service indications and note fields

If the METPOINT® OCV is operated at inadmissible operating conditions, or if service measures are due, for example, the following communication fields can appear on the display:

- Note fields
- Trouble indications
- Alarm indications

These indications also include the corresponding recommended actions. Please carry out the described operations. Should this not be successful, please contact the BEKO service which is responsible for you. You will find contact information at www.beko.de or on page 2.



Have system performance checks, setting and service measures exclusively carried out by authorised skilled personnel³.

Calibration works can only be implemented by BEKO SERVICE.

13.3.1 Trouble indications

Working pressure too low !

Please increase the operating pressure.
For minimum value see manual.

Betriebsdruck zu gering !

Bitte Betriebsdruck erhöhen.
Minimaler Wert siehe Betriebsanleitung.

³ Authorised skilled personnel are persons who are authorised by the manufacturer, with experience and technical training, who are well-grounded in the respective provisions and laws and capable of carrying out the required works and of identifying and avoiding any risks during the machine transport, installation, operation and maintenance. Qualified and authorised operators are persons who are instructed by the manufacturer regarding the handling of the METPOINT® OCV, with experience and technical training, and who are well-grounded in the respective provisions and laws.

Measurement range exceeded !
Oil content higher than 5mg/Norm m³

Required procedure:

- Detect and eliminate the cause for the high oil content
- Dismount the sensor unit
- Purge the sensor unit with synthetic Zero Air
- Reinstall the sensor unit and start the measurement
- Please contact the BEKO Service

For detailed procedure please see the manual.

Messbereich wurde überschritten !
Ölgehalt größer 5mg/Norm m³

Erforderliche Maßnahmen:

- Ursache für hohen Ölgehalt ermitteln und beseitigen
- Sensoreinheit demontieren
- Sensoreinheit mit synthetischer Null-Luft spülen
- Sensoreinheit montieren und Messung starten
- Bitte BEKO Service kontaktieren

Detaillierte Vorgehensweise siehe Betriebsanleitung.

www.beko.de

13.3.2 Service indications

ATTENTION !
Calibration required.
Please contact the BEKO Service.

ACHTUNG !
Kalibrierung erforderlich.
Bitte BEKO Service kontaktieren.
www.beko.de

For the sake of operating safety, the performance of the sensor technology is constantly checked during the measurements. In the event that a defined safety limit value has not been reached, an alarm will be activated, informing the user that the device needs to be checked by BEKO. The following clear text will appear:

ATTENTION !
Testing of the sensor is required.
Please contact the BEKO Service.

ACHTUNG !
Prüfung des Sensors erforderlich.
Bitte BEKO Service kontaktieren.
www.beko.de

The maintenance and calibration interval is determined by the operator of the measuring device. You will find information in this regard in Chapter 14.3. The UV light source will be checked within the scope of the scheduled maintenance and calibration.



At this point in the main menu, important details regarding the device and the device configuration are available which are required during service measures.

METPOINT® OCV

Device Info for METPOINT_144

VERSION=1.6.5.2 IP=192.168.1.217 DHCP=False DATE=2010/2/12 15:00 ALARM=0.1 LIVELOG=False DEVICEID=144 MANDATE=1009	WREF=60000 WMEAS=60000 CF=0.4135 SF=82.12 USEROFF=False ROFF=0.0035391713174441 SCIENT=False GAIN=8 OVRS=8 OH=170.20 NN=8760 AOUT=True	LIN=True LMODE=Pow LFR1A=29.3 LFR1B=-0.017 LFR1C=-28.36 LFR2A=0 LFR2B=1 LFR2C=0 LFR3A=0 LFR3B=1 LFR3C=0 LFT12=0.005 LFT23=0.05
---	---	--

For the service, the following fields are decisive:

NN = Number of operating hours indicating the next recommended calibration.

AOUT = Analogue output 4-20 mA active / not active

13.3.3 Note fields

ATTENTION !
 Use this mode only after having consulted BEKO.
 Close the connection for measuring gas „M“.
 Connect Zero Air to „Z“.
 Connect measuring gas to „C“.

ACHTUNG !
 Bitte benutzen Sie diesen Modus nur nach Rücksprache mit BEKO.
 Messgas-Anschluss „M“ schließen.
 Null-Luft an „Z“ anschließen
 Messgas an „C“ anschließen.

www.beko.de

13.4 Measured value memory

All measured values are documented in an internal memory (2 GB) according to date and time and can be read out accordingly (see Chapter 12.6).

Read out the measured values of the device at regular intervals of the device's memory by means of the software. Check these values with regard to temporary exceeding of the limit value.

13.5 Display of the alarm message

For the transmission of the alarm signal when the adjusted limit value has been exceeded, the following possibilities are available:

Standard:	Potential-free alarm contact, 230V/AC 5A or 24V/DC 5A Connection potential-free alarm contact (position 14 on page 16)
Option:	Analogue output 4...20 mA Connection analogue output (position 19 on page 16)

13.5.1 Potential-free alarm contact

General advice



For reliable alarm indication, the potential-free contact must only be installed and used in accordance with the indications in this chapter.

Non-observance of the installation and operating instructions involves risks for persons and systems.



If you have any queries regarding these instructions, please contact BEKO TECHNOLOGIES GMBH.



This chapter applies to METPOINT® OCV from software version 1.2.9.11 onwards.



DANGER!

Missing connection with the protective conductor!

The connection with the protective conductor must be ensured before establishing an electrical connection with the electric circuit of the potential-free contact.

Prior to removing the power plug of the device, de-energise the potential-free contact.

The removal/plugging-in of the plug for the potential-free contact while energised is not permissible. Voltage must only be supplied to the plug when plugged in.



DANGER!

Missing separator!

All voltages representing a hazard when coming into contact with them must be disconnectable via assigned separators that need to be installed externally.

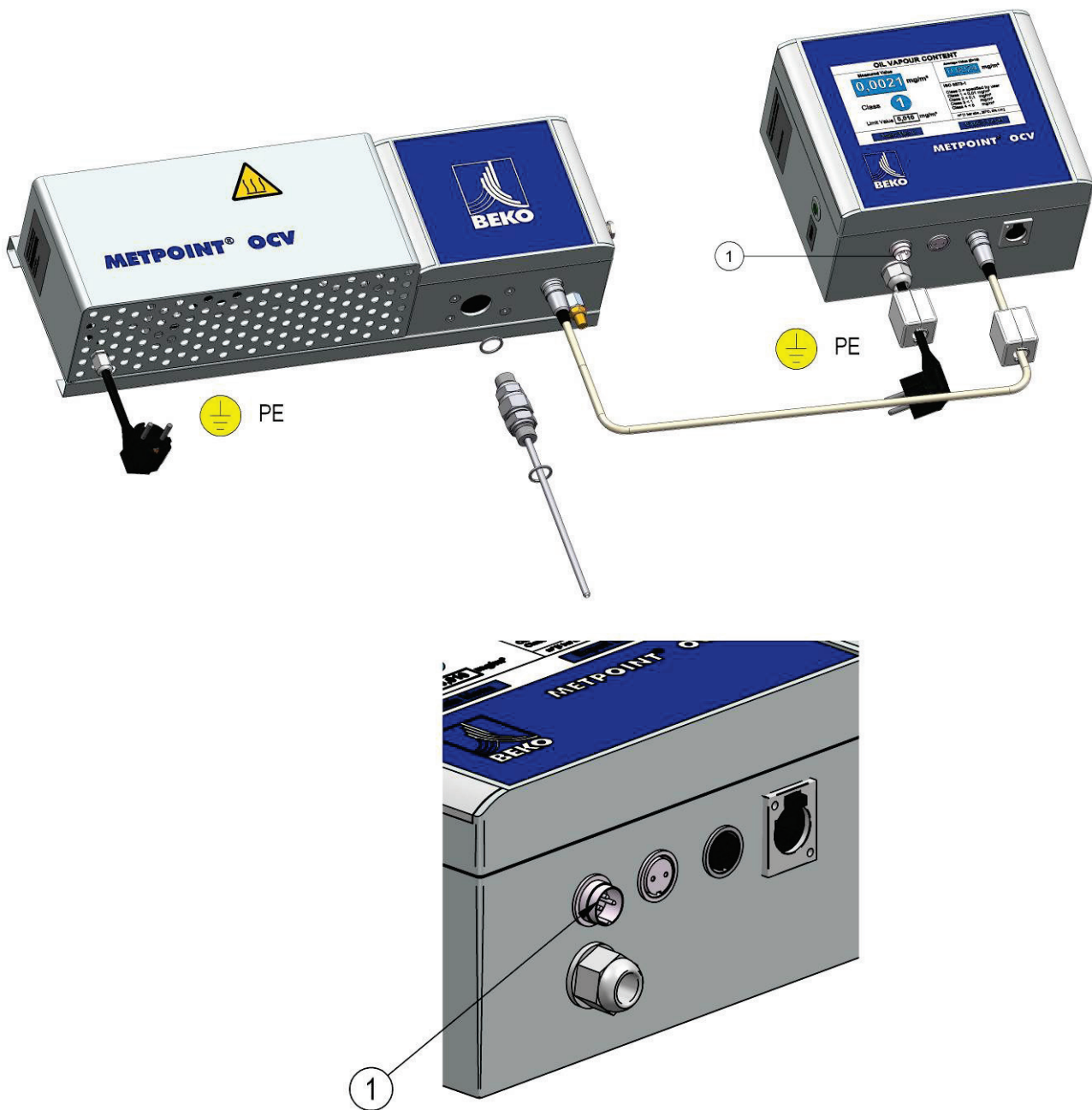
The separator must be installed in the vicinity of the device.

The separator needs to correspond to IEC 60947-1 and IEC 60947-3.

The separator must separate all voltage-carrying conductors.

The separator must not be installed in the power supply line.

The separator must be easily accessible for the user.



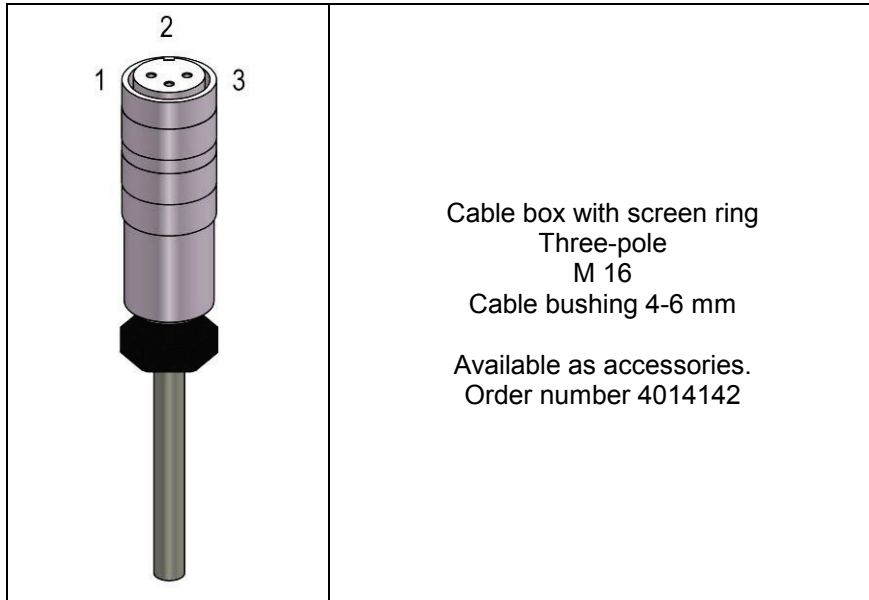
1 - Three-pole male receptacle M 16

For the transmission of the alarm, a three-pole cable box M 16 can be connected at position (1) at the evaluation unit.

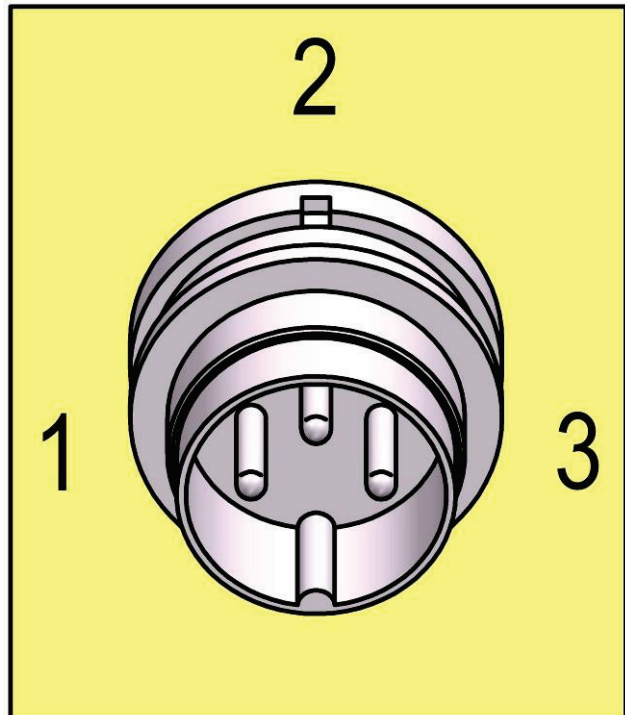
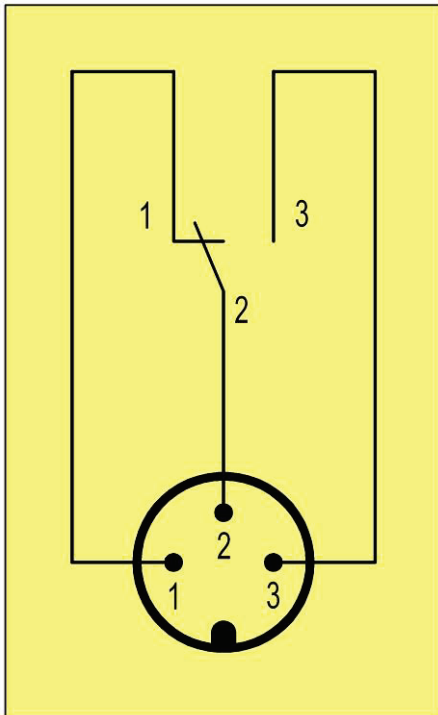


Plug-and-socket connectors are operating resources that, when properly used (under voltage), must not be plugged-in or disconnected.

Operation



The alarm contact is designed as a potential-free change-over contact.

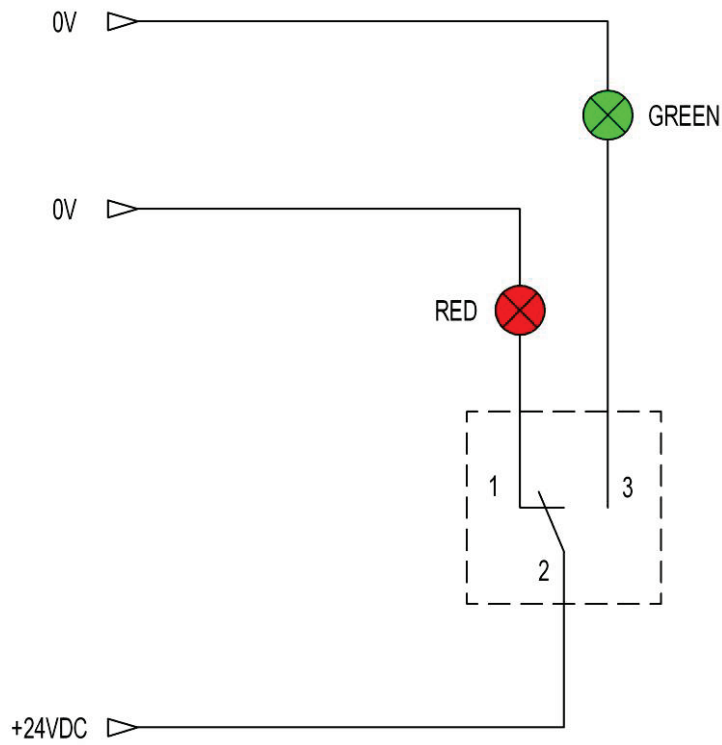


Maximum load of the contacts:

230 VAC = 5 A ohmic load

24 VDC = 5 A ohmic load

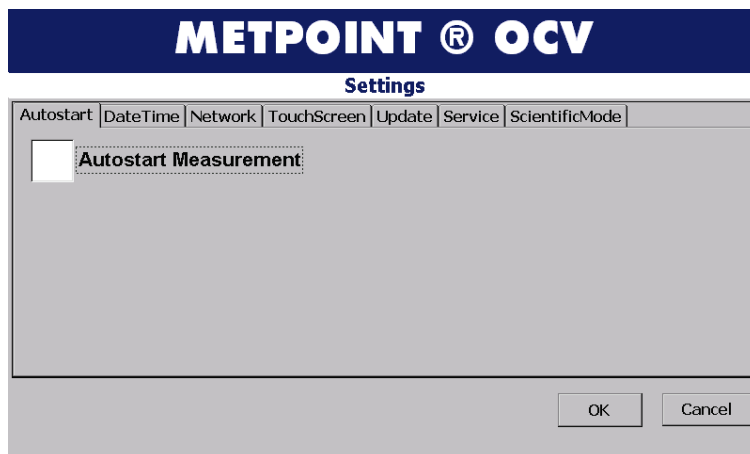
Example of a loading of the alarm contact with 24 VDC



The potential-free alarm contact of the METPOINT® OCV functions as follows:

1. Mode with inactive autostart

See "Settings" menu

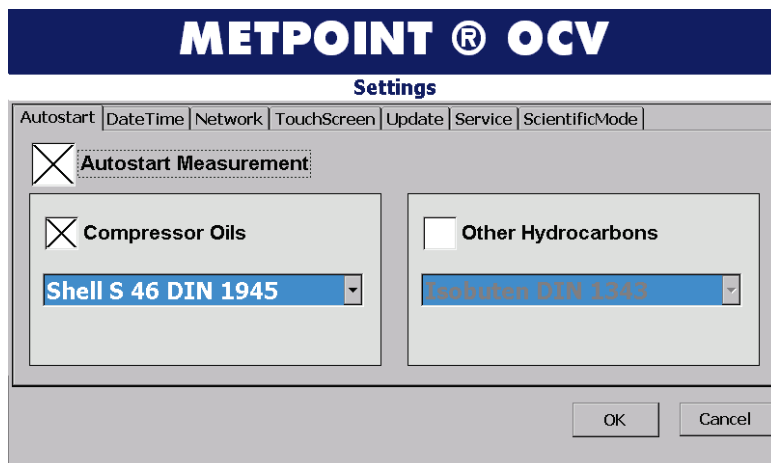










Operation

Device switched off	Alarm active	
Device switched on	Alarm inactive until the start screen appears	
Start screen	Alarm active	
Start screen without activated autostart	Alarm remains active	
Setting in the "Measurement" menu	Alarm remains active	
Start measurement	Alarm becomes inactive	
Alarm limit value exceeded	Alarm active	
Warning screen pressure too low (no pressure)	Alarm active	
Warning screen measurement range exceeded	Alarm active	
Warning screen sensor test	Alarm active	

2. Mode with active autostart

See "Settings" menu



Device switched off	Alarm active	
Device switched on	Alarm inactive until the start screen appears	
Start screen	Alarm active	
Autostart of the measurement while the start screen is displayed	Alarm becomes inactive	
Alarm limit value exceeded	Alarm active	
Warning screen pressure too low (no pressure)	Alarm active	
Warning screen measurement range exceeded	Alarm active	
Warning screen sensor test	Alarm active	

Operation

13.5.2 Analogue output 4-20 mA

General advice



For safe transmission and indication of the measured values, the analogue output must only be installed and used in accordance with the instructions in this chapter.

Non-observance of the installation and operating instructions involves risks for persons and systems.

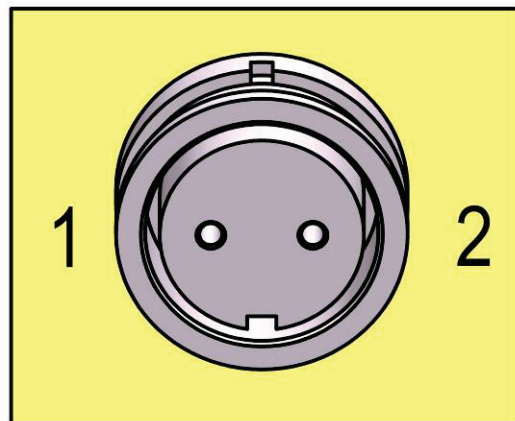
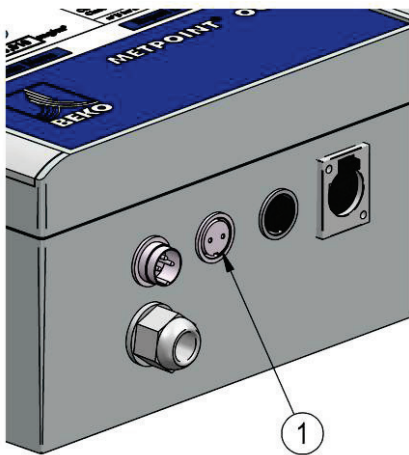


If you have any queries regarding these instructions, please contact BEKO TECHNOLOGIES GMBH.



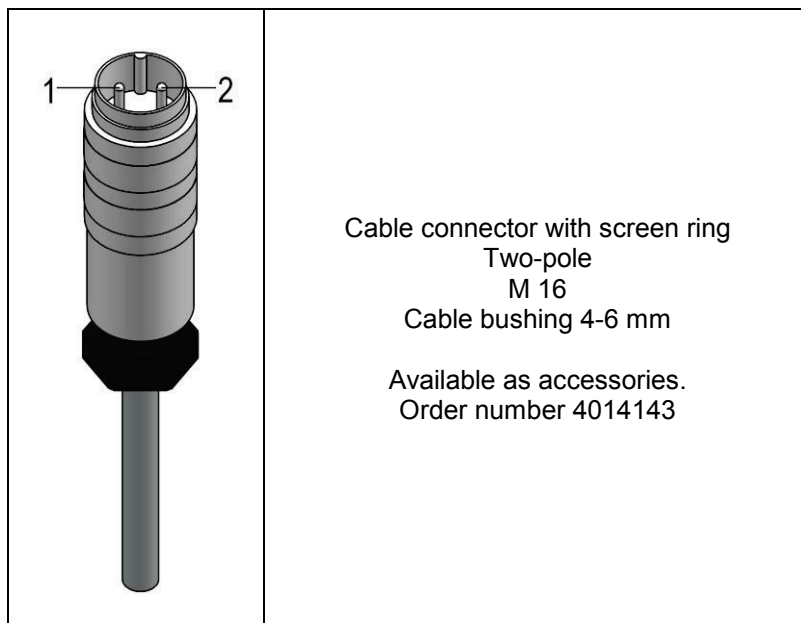
This chapter applies to METPOINT® OCV from software version 1.3.5.0 onwards.

The connection for the METPOINT® OCV analogue output is at the evaluation unit (1).



- 1 - Two-pole M 16 flange socket for the connection of the 4-20 mA analogue output

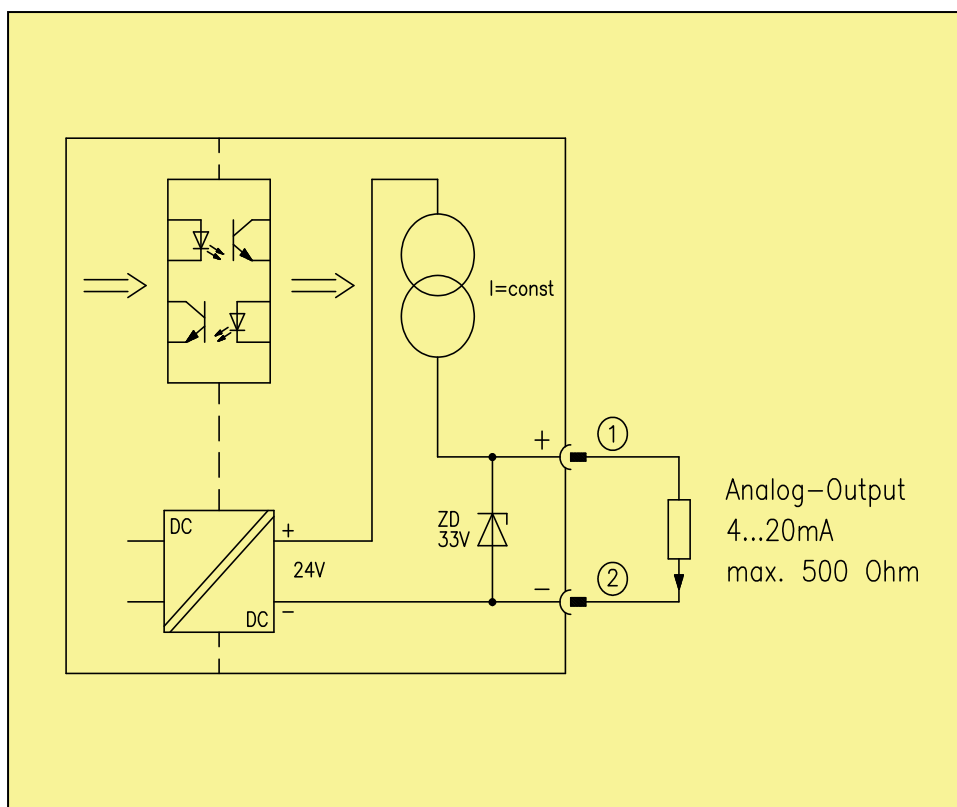
For the transmission of the 4-20 mA signal, a two-pole M16 cable connector can be connected at position (1) at the evaluation unit.

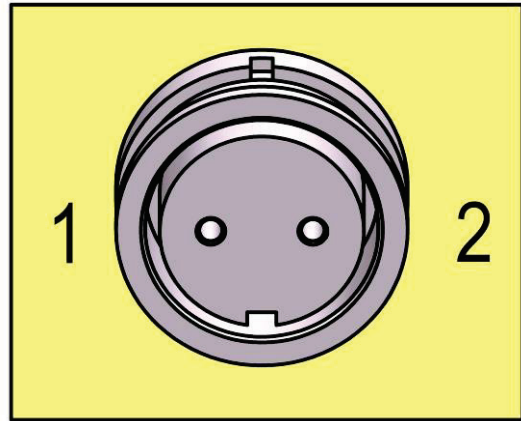
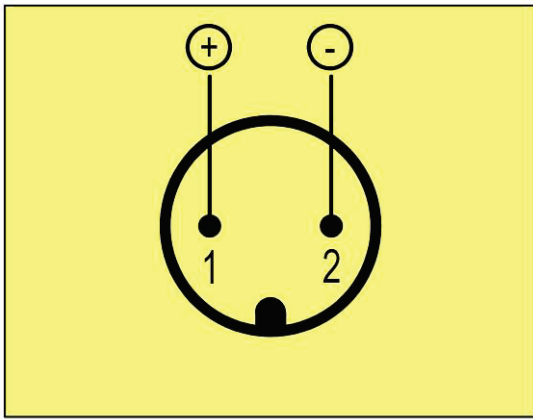


CAUTION!

The 4...20 mA interface is designed as an **active current source** and is galvanically separated from the rest of the circuit by a 1 kV isolation barrier. The current to be measured depends on the connected load.

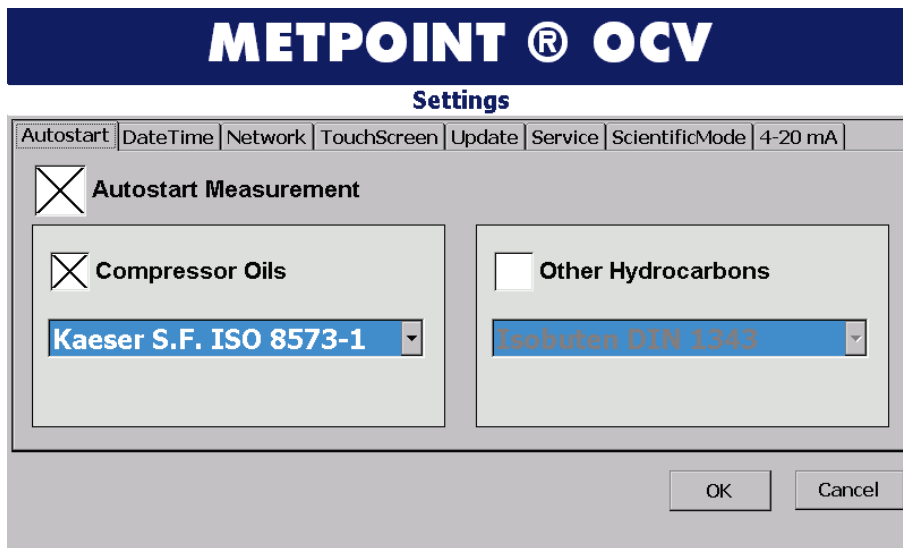
Only a passive current sink is to be connected to the 4...20 mA interface. For correct functioning, the connected load must lie within a range between 0 and max. 500 Ohm.





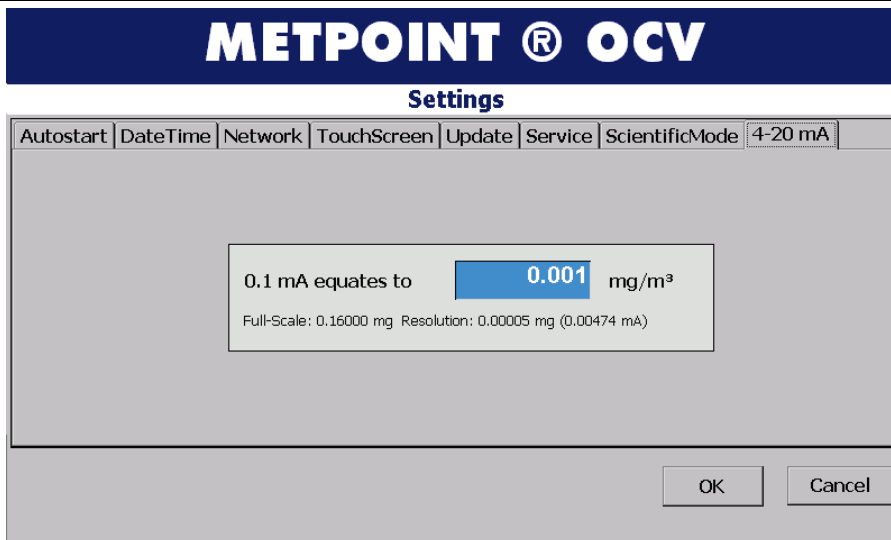
Flange socket position (1)

In the **"Settings"** menu, the 4-20 mA analogue output can be configured in accordance with your requirements.



To scale the 4-20 mA signal, please proceed as follows:

1. Detect the residual oil content range of your compressed air.
2. Connect the 4-20 mA analogue output to your system.
3. Choose the scaling suitable for your purposes in the **"Settings / 4-20 mA"** menu.



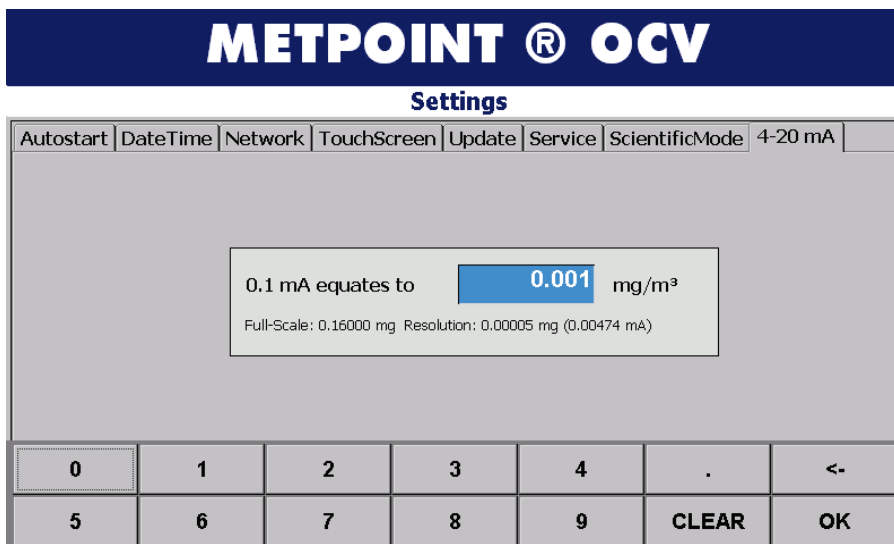
The signal of 4 mA always corresponds to a measured value of 0 mg/m³.

"Full-Scale" always denotes the residual oil content at a full-scale deflection of 20 mA.

"Resolution" indicates the resolution of the interface.

Example setting 1

If the residual oil content values indicated in the METPOINT OCV[®] MEASUREMENT mode lie in the range of ≤ 0.1 mg/m³, please enter "0.001" into the blue field and confirm with OK.



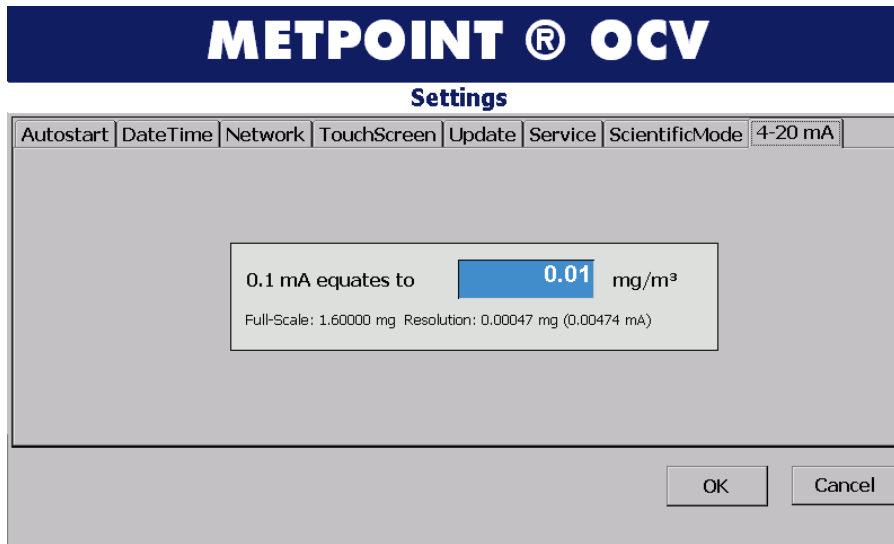
After confirmation with OK, the value for "Full-Scale" and the resolution are indicated. In this example, the following settings are applicable:

Scaling	0.1 mA	corresponds to	0.001 mg/m ³
Scaling initial value	4.0 mA	corresponds to	0.000 mg/m ³
Scaling final value (Full-Scale)	20 mA	corresponds to	0.160 mg/m ³

Operation

Example setting 2

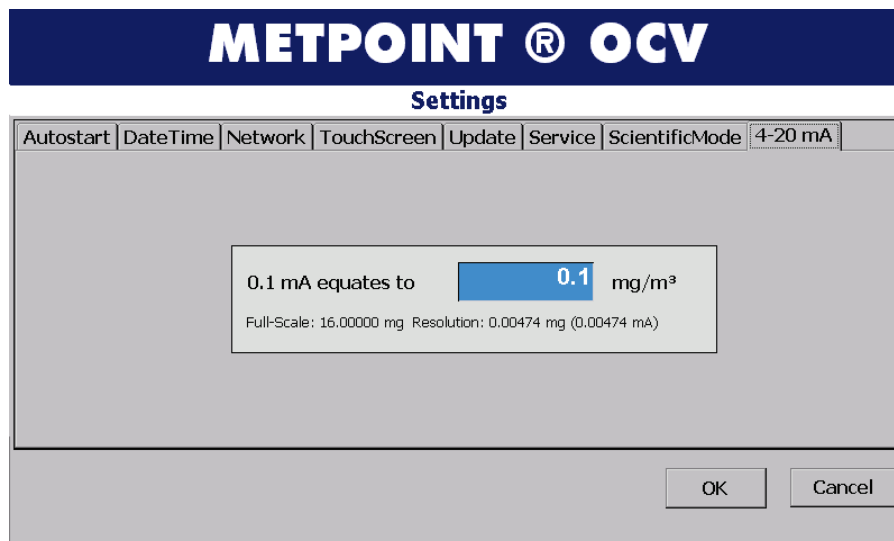
If the residual oil content values indicated in the METPOINT OCV[®] MEASUREMENT mode lie in the range between $\geq 0.1 \text{ mg/m}^3$ and $\leq 1.0 \text{ mg/m}^3$, please enter "0.01" into the blue field and confirm with OK.



Scaling	0.1 mA	corresponds to	0.01	mg/m ³
Scaling initial value	4.0 mA	corresponds to	0.00	mg/m ³
Scaling final value (Full-Scale)	20 mA	corresponds to	1.60	mg/m ³

Example setting 3

If the residual oil content values indicated in the METPOINT OCV[®] MEASUREMENT mode lie in the range between $\geq 1.0 \text{ mg/m}^3$ and $\leq 5.0 \text{ mg/m}^3$, please enter "0.1" into the blue field and confirm with OK.



Scaling	0.1 mA	corresponds to	0.1	mg/m ³
Scaling initial value	4.0 mA	corresponds to	0.0	mg/m ³
Scaling final value (Full-Scale)	20 mA	corresponds to	16	mg/m ³

For all other measured-value ranges, the 4-20 mA signal can be scaled using the same steps.



NOTE!

Please also check the settings of the 4...20 mA interface at your indicating and evaluation unit and carry out the respective scaling, if required.

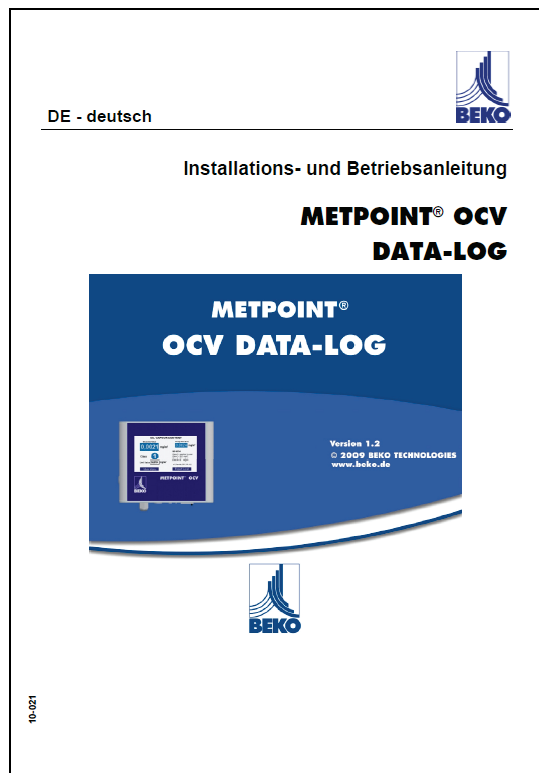
Adjust the displayed values at the METPOINT® OCV and at your indicating unit so that they match.

Notes

1. Until the indication of the first measured value, the value which was assigned to the 4 mA is displayed at the start of the measurement.
2. During adjustments at the device (measurement is interrupted) no value is indicated.
3. When the device is deactivated, no values are indicated either.

13.6 Reading out of the measured values via the Ethernet connection

See separate operating instructions "METPOINT® OCV DATA-LOG".



BEKO TECHNOLOGIES GMBH
41468 Neuss, GERMANY
Tel: +49 2131 988-0
www.beko.de



EG-Konformitätserklärung

Wir erklären hiermit, dass die nachfolgend bezeichneten Produkte in der von uns gelieferten Ausführung den geltenden Anforderungen der einschlägigen EU-Richtlinien entsprechen:

Produktbezeichnung:	METPOINT® OCV
Spannungsvarianten:	110V AC, 230V AC
Min. / max. Betriebsüberdruck:	3,0 – 16 bar
Produktbeschreibung und Funktion:	Messgerät zur Bestimmung des Restölgehalts in Druckluft

Einschlägige EU-Richtlinien:

2006/95/EG	Niederspannungs-Richtlinie
2004/108/EG	EMV-Richtlinie, Elektromagnetische Verträglichkeit

Angewandte harmonisierte Normen:

EN 61010-1	Sicherheitsbestimmungen für elektrische Mess-, Steuer-, Regel- und Laborgeräte
EN 61326-1	Elektrische Mess-, Steuer-, Regel- und Laborgeräte EMV-Anforderungen

Anbringungsjahr der CE-Kennzeichnung: 2009

Die Produkte sind mit dem abgebildeten Zeichen gekennzeichnet:



Diese Erklärung bezieht sich nur auf die Produkte in dem Zustand, in dem sie in Verkehr gebracht wurden; nicht vom Hersteller angebrachte Teile und/oder nachträglich vorgenommene Eingriffe bleiben unberücksichtigt.
Die Sicherheitshinweise der mitgelieferten Produktdokumentation sind zu beachten.

Neuss, 15.07.2009

BEKO TECHNOLOGIES GMBH


i.V. Christian Riedel
Leiter Qualitätsmanagement

BEKO TECHNOLOGIES GMBH
41468 Neuss, GERMANY
Phone: +49 2131 988-0
www.beko.de



EC declaration of conformity

We hereby declare that the products indicated hereafter, in the delivered performance, comply with the requirements of the relevant EU directives in force:

Product designation:	METPOINT® OCV
Voltage options:	110V AC, 230V AC
Min./max. operating overpressure:	3.0 – 16 bar
Product description and function:	Measuring device for the determination of the residual oil content in compressed air

Relevant EU directives:

2006/95/EC	Low-Voltage Directive
2004/108/EC	EMC Directive, electromagnetic compatibility

Harmonised standards applied:

EN 61010-1	Safety requirements for electrical equipment for measurement, control and laboratory use
EN 61326-1	Electrical equipment for measurement, control and laboratory use EMC requirements

Year of CE labelling: 2009

The products are labelled with the sign shown below:



This declaration only refers to products in the condition in which they have been placed into circulation. Parts which have not been installed by the manufacturer and / or modifications which have been implemented subsequently remain unconsidered. The safety instructions of the supplied product documentation need to be observed.

Neuss, 20 May 2009

BEKO TECHNOLOGIES GMBH

p.p. Christian Riedel
Head of Quality Department

15 Maintenance and service

The METPOINT® OCV must be serviced and maintained at regular intervals by authorised skilled personnel. Please have the necessary repair measures only carried out by specialists. Use genuine BEKO spare parts only.

15.1 Care



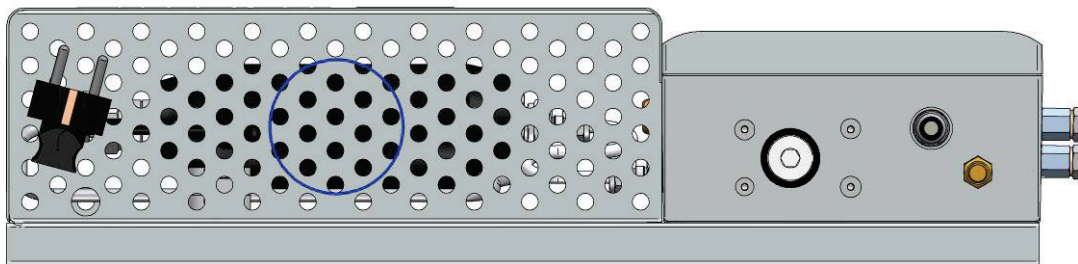
NOTE!

Aggressive cleaning agents and solvents must not be used!

15.2 Daily check

Please verify the function of the reference gas generation unit once a day. For this purpose, check whether or not the LED inside the sensor unit flashes (see the area that is marked blue). It may be required to choose an inclined angle of view.

When the LED flashes, the reference gas generation unit is functional. In the event that the LED light remains constant or that the LED is switched off, please immediately contact the BEKO service.



In addition, the function of the reference gas generation unit is ensured when the left part of the sensor unit shows an increased temperature (can be detected by hand).



15.3 Calibration

Indications for the determination of calibration intervals for METPOINT® OCV

The calibration cycle indicates in which time intervals a new calibration (recalibration) is to be carried out. In this respect, the employment conditions of the respective measuring device play a decisive role.

Generally, the user is responsible for the determination of calibration intervals. If any instructions exist regarding recalibrations, e.g. in the quality management manual, these periods shall be binding for recalibration.

The decision about how long the calibration interval may be shall therefore be made in consideration of the costs for more frequent recalibrations on the one hand, and for possibly unusable measured values on the other hand.

For certain measurement conditions, such as a high number of operating hours (shift operation), extreme temperature conditions, continuous alternating-load operation, dirt and moisture, calibration will be required at shorter intervals.

The employment conditions also take effect if the **METPOINT® OCV** device was exposed to strain beyond proper use, meaning that, in such an event, recalibration is required in any case. This includes cases of higher overload, dropping of the unit, extreme temperature conditions, high moisture content in the compressed air and interventions into the device for repair purposes.

By continuously tracking the calibration results, the user will be able to ascertain the typical long-term behaviour of the employed measuring devices and determine the calibration intervals for his employment conditions on this basis, and to extend or reduce these depending on the results.

Calibration cycle

At very high demands on the measuring accuracy, we recommend scheduling an interval for recalibration of six or even three months, to begin with. If the measurement properties turn out to be stable after the first or the second recalibration, the calibration interval can be extended to 12 months. A corresponding method for the adjustment (extension or reduction) of the calibration intervals should be a constituent part of the QM system.

Recalibration shall be carried out at the latest 12 months after the METPOINT® OCV has been delivered.

Please contact the technical service of BEKO TECHNOLOGIES GMBH regarding a scheduled recalibration of the METPOINT® OCV.

15.4 Support with regard to any application queries

If you have any technical questions, our technical service and the BEKO TECHNOLOGIES field service will be pleased to help you.

Please always have the serial number of your METPOINT® OCV ready if you have any queries, as well as the measuring range of the sensor unit (indicated on the type plate at the side of the sensor unit) and the code of the occurred malfunction, if required.

BEKO TECHNOLOGIES GMBH will be at your disposal for all queries regarding the compressed-air processing and quality.

Please contact us.

16 Appendix

Table 1 – Minimum flow rate measuring section

For the exact measurement of the oil content, the sampling manner is of special importance. The sample shall be taken at a point ensuring the presence of a representative and usable mixture of all compressed air components.

As far as gaseous and vaporous organic substances are concerned, it can be assumed that they are sufficiently homogeneously distributed over the measuring cross-section. At a homogenous distribution, the gases can be taken at a defined point approximately in the middle of the measuring cross-section.

For the measuring sections made by BEKO TECHNOLOGIES or for measuring sections which are manufactured according to the specifications of BEKO TECHNOLOGIES, we recommend the following guide values for the minimum flow of the compressed air in the measuring sections, to ensure representative sampling:

Nominal diameter <i>DN</i>	Thread size <i>R</i>	EN 10 255 Medium-weight threaded pipes	Minimum flow rate*
DN 10	3/8"	Ø17.2 x 2.3	2.9 m ³ /h
DN 15	1/2"	Ø 21.3 x 2.6	3.7 m ³ /h
DN 20	3/4"	Ø 26.9 x 2.6	5.0 m ³ /h
DN 25	1"	Ø 33.7 x 3.2	6.2 m ³ /h
DN 32	1 1/4"	Ø 42.4 x 3.2	8.2 m ³ /h
DN 40	1 1/2"	Ø 48.3 x 3.2	9.5 m ³ /h
DN 50	2"	Ø 60.3 x 3.6	12.1 m ³ /h
DN 65	2 1/2"	Ø 76.1 x 3.6	15.6 m ³ /h
DN 80	3"	Ø 88.9 x 4.0	18.4 m ³ /h
DN 100	4"	Ø 114.3 x 4.5	23.9 m ³ /h
DN 125	5"	Ø 139.7 x 5.0	29.4 m ³ /h
DN 150	6"	Ø 165.1 x 5.0	35.2 m ³ /h

* The minimum flow rate is based on standard m³/h, in accordance with ISO 1217.
The standard m³ in accordance with ISO 1217 is based on 1.0 bar abs. and +20°C.

Installation of the option ball valve between the sampling probe and the sensor unit

When installing the oil- and grease-free ball valve 3/8" for the shut-off of the compressed-air supply to the sensor unit, please observe the following advice:



Die METPOINT® OCV measuring devices as well as the related accessories must only be installed and used by qualified and authorised skilled personnel and exclusively in accordance with the technical data.



Do not touch the components without oil- and grease-free gloves (textile gloves are recommended) during the installation of the ball valve 3/8". A fingermark can affect the measuring results.



Prior to installation, allow compressed air to flow off to remove condensate and particles. This prevents needless contamination of the ball valve and of the sensor unit.



DANGER!
Overpressure!



Before starting installation, it is imperative to ensure that the compressed-air line is pressureless!

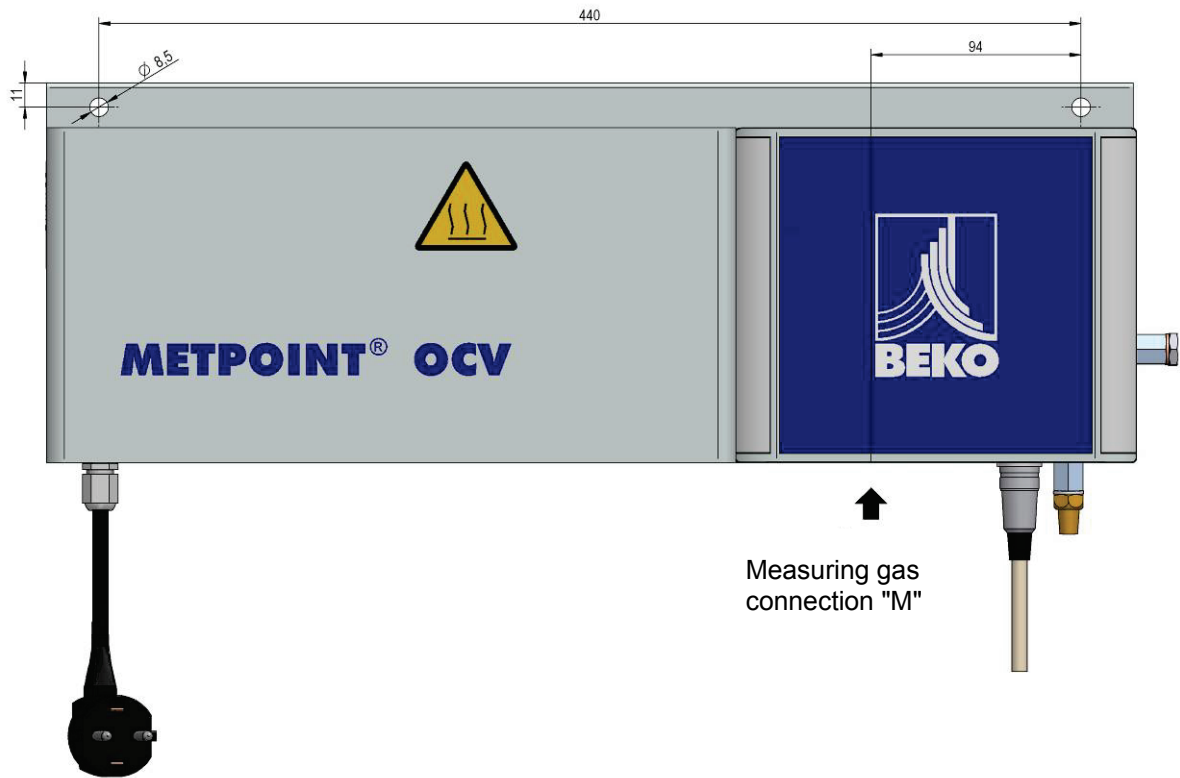


- 1 - Ball valve G 3/8" with wing handle free from oil and grease
- 2 - Gasket 3/8"
- 3 - Screw-in connector stainless steel
- 4 - Nozzle stainless steel
- 5 - Sampling probe

Appendix

Mounting of the sensor unit

If required, the sensor unit can be mounted via the two available bores in the carrier plate on the wall or on a mounting bracket.



Translation of the original manual/instructions.

Original instructions are in German.

METPOINT OCV_manual_en_2012-04
Subject to technical changes / errors excepted.