



CLEARPOINT®

activated carbon solutions for oil-free compressed air



CLEARPOINT® Activated Carbon Filters



Oil-free Air

The pre-dried, laboratory grade activated carbon used in CLEARPOINT V begins adsorbing oil immediately upon start-up with no wait time.



Flow Optimized

The unique curved inlet design provides the lowest possible differential pressure to ensure maximum energy efficiency across the entire range.



Maximum Reliability

CLEARPOINT V vessels are highly optimized and engineered to factor in dynamic loads to the design to extend the lifetime of the unit, and your investment.



Comprehensive Line

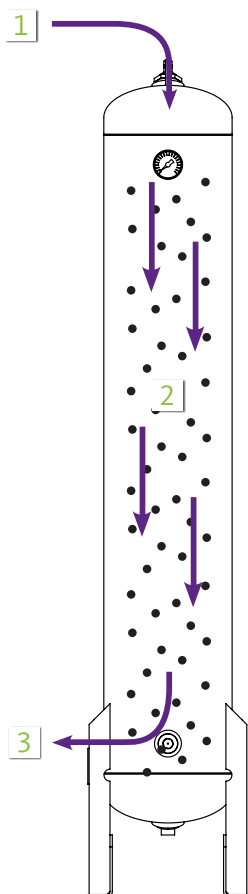
With model sizes for applications from 80 to 2,800 scfm and up to 150 psig, our product line is comprehensive and highly competitive.



Maintenance

Engineered for ease of use with top and bottom access ports to make both draining and filling a simple, easy maintenance procedure.

How it Works



1. The filter housing has generously dimensioned, curved inlet and outlet connections to keep pressure drop to an absolute minimum when paired with existing pipework.
2. Compressed air flows through a bed of high-grade, tightly packed activated carbon. Due to the high degree of microporosity and small, low volume pores the activated carbon bed adsorbs compressor oil and contaminants as the compressed air comes into contact with the material.
3. The adsorption process allows for easy generation of oil-free compressed air that provides outlet oil vapor concentrations of less than 0.003 mg/m³ that is better than Class 1 according to ISO 8573-1 (at 68 °F and 14.5 psia)

CLEARPOINT® Activated Carbon Filters

During compressed air generation and distribution, contaminants are introduced to the air stream at various stages of the compressed air network. Compressed air filters, which come in various grades, remove these contaminants, as well as humidity and oil from the compressed air stream. This is a critical step as these can lead to a deterioration in quality, machine failure, or even to a loss of production or to products that must be disposed of.

Compare



Threaded V Line
Activated Carbon Cartridge Series



Tower V Line
Activated Carbon Tower Series

Flow Rates

80 - 330 scfm

100 - 2800 scfm

Maximum Operating Pressure

232 psig

150 psig

Standard Pipe Connection Sizes

½" - 1 ½" NPT

1" - 2 1/2" NPT, 2 1/2" - 4" Flange

Max. operating temperature

140 °F

120 °F

Available Options

Oil check indicator,
Manual valve, Cover3More extended warranty

Cover3More extended warranty

Product Family



Threaded activated carbon cartridge filters

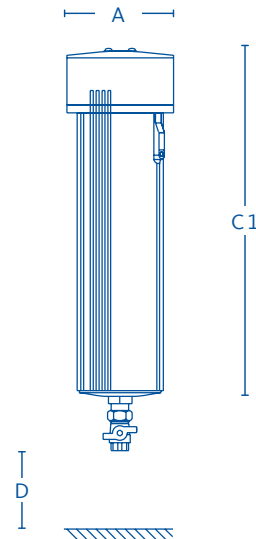


Activated carbon adsorption towers

CLEARPOINT® Threaded Activated Carbon Cartridge Filters

with manual ball valve

- › With activated carbon filter cartridge
- › Removal of solid particles up to 1 µm
- › Residual oil vapor content down to .003 mg/m³
- › CRN approved
- › Max. inlet moisture: 30% (dryer required upstream)
- › Max. operating pressure: 232 psig
- › Max. operating temperature: 113 °F



CLEARPOINT®	S055	M010	M018
Pipe size (NPT)	½"	¾"	1 ½"
Flow rate (scfm)	29	59	118
Element Size	06V	10V	18V
Dimension data			
A (inches)	2.95	3.94	5.75
C1 (inches)	10.43	13.78	16.46
D (inches)	5.91	5.91	6.30
Weight (lbs)	2.65	4.63	9.92

ELEMENT GRADE	ELEMENT TYPE	MICRON RATING	OIL CARRYOVER	Δ PRESSURE (psid)
Grade V	Activated Carbon Cartridge	1 µm	.003 mg/m ³	.54

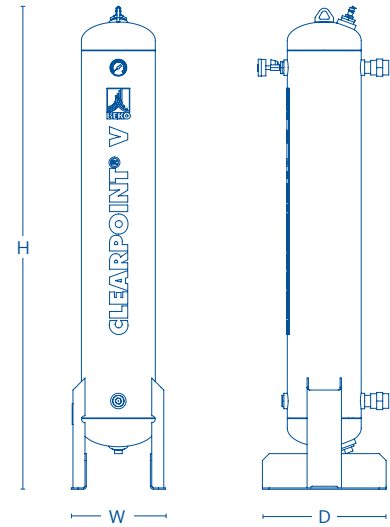
Correction Factor

Operating Pressure (psig)	20	40	60	80	90	100	110	120	130	140	160	180	200	230
Correction Factor	.30	.48	.65	.82	.91	1.00	1.09	1.17	1.26	1.35	1.52	1.70	1.87	2.13

CLEARPOINT® V Activated Carbon Adsorption Towers

with pressure gauge

- › Filled with activated carbon adsorbent
- › Required pre-filtration: .01 µm
- › Residual oil vapor content down to .003 mg/m³
- › Max. inlet moisture: 30% (dryer required upstream)
- › Max. operating pressure: 150 psig
- › Max. operating temperature: 120 °F



CLEARPOINT® V	V80	V100	V120	V160	V200	V250	V300	V400	V500
Pipe Size (NPT)	3/4"	1"	1"	1¼"	1¼"	1½"	1½"	2"	2"
Flow Rate (scfm)	80	100	120	160	200	250	300	400	500

Dimensions and Weight

H x W x D (inches)	58 x 11 x 17	70 x 11 x 17	70 x 11 x 17	70 x 14 x 19	70 x 14 x 19	77 x 16 x 23	77 x 16 x 23	68 x 17 x 24	78 x 19 x 26
Empty Weight (lbs)	190	190	196	224	260	273	312	356	427
Total Fill (lbs)	41	51	51	77	77	127	127	149	225

CLEARPOINT® V	V650	V800	V1000	V1200	V1500	V1900	V2300	V2800
Pipe Size	2½"	2½"	2½" Flange	2½" Flange	3" Flange	3" Flange	4" Flange	4" Flange
Flow Rate (scfm)	650	800	1000	1200	1500	1900	2300	2800

Dimensions and Weight

H x W x D (inches)	74 x 22 x 29	72 x 24 x 31	85 x 24 x 26	84 x 26 x 27	90 x 28 x 29	77 x 35 x 35	93 x 35 x 35	83 x 40 x 41
Empty Weight (lbs)	583	609	734	872	1,380	1,737	2,168	2,360
Total Fill (lbs)	271	338	354	428	536	729	853	1105

* **WARNING:** Do not use activated carbon adsorption towers downstream of any heated type desiccant dryers!

** Different operating pressures, compressed air temperatures and/or relative humidities will affect efficiency and service life of activated carbon adsorption towers.

Correction Factors

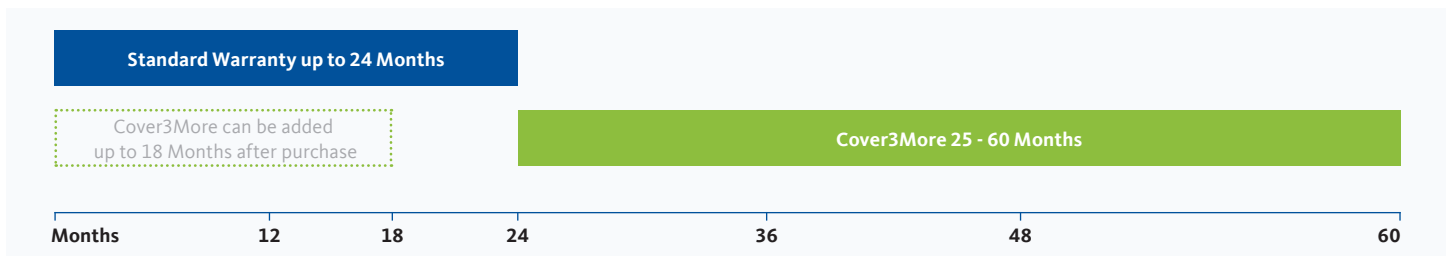
Operating Pressure (psig)	60	70	80	90	100	110	120	130	140	150
Correction Factor	.65	.74	.83	.91	1.00	1.12	1.16	1.2	1.25	1.29

Subject to technical errors, changes, omissions and/or corrections without prior notice.

+3
Years on all
Products

ask your
**sales
representative**
for complete details
and extend your full
warranty today

At a Glance



Cover3More is available on all our product lines

DRYPOINT® RA	Refrigerant Air Dryers	BEKOMAT®	Zero Air Loss Drains
DRYPOINT® X / AC	Desiccant Air Dryers	QWIK-PURE®/ÖWAMAT®	Oil-water Separators
DRYPOINT® M	Membrane Air Dryers	METPOINT®	Instrumentation
CLEARPOINT®	Filters and Water Separators	BEKOKAT®	Hydrocarbon Removal Systems

How it Works

1. Select the product or products that you wish to cover with the extended warranty.
2. Simply add 8% to the net price of each product or call your sales representative if you need help calculating your final net price.
3. Include this information as a line item with your purchase order or purchase the warranty extension up to 18-months post-sale.

What we need from you: It's not much. In fact, if you are purchasing the Cover3More extended warranty with a new equipment purchase, all you have to do is include a line item on your order indicating which items you wish you cover, and we will take care of the rest. If you happen to be adding coverage to a product you've already taken delivery of, then all we need is the company name and contact information of the original purchaser, the product model number of the product to be covered, serial number, and original purchase order number or BEKO Technologies invoice number, and we will apply coverage appropriately. **Please feel free to contact us at +1 (800) 235-6797 to get started.**

All maintenance procedures, including filter element changes, must be carried out in accordance with the manual in order to maintain any warranty.

Cover3More Extended Warranty Program

■ Compare

We give you more: In addition to a robust, standard 2-year warranty on BEKO Technologies products, we offer our customers the option of extending the standard warranty even further with the **Cover3More** program – a low cost, all-encompassing, and simple warranty extension program.

- › Extends the standard factory warranty for an additional 3-years
- › May be purchased at any time up to 18-months post-sale
- › No hassle and easy to calculate without any hidden costs

Secure your future with a minimal investment. The **Cover3More** extended warranty program from BEKO Technologies ensures that your investment is covered for a total of 5-years at a nominal cost.

- › 2-year standard warranty covers parts and labor
- › 3-year extended warranty covers parts only, no parts restrictions
- › Significantly reduces your risk of having unexpected costs

Reliability you can count on: With the Cover3More extended warranty program, BEKO Technologies not only lengthens the standard warranty period by 3-years from the installation date, but also draws on the company's vast compressed air industry experience to quickly resolve any product problems you may experience in the least disruptive way possible, thereby keeping downtime to an absolute minimum. Should a repair be required, it will be handled by qualified, authorized personnel, and only original parts will be used.

What's in the fine print: The optional 36-month warranty extension (i.e. Cover3More) is a limited extended warranty that covers parts only from months 25-60.

However, all of the aforementioned installation, performance, and quality requirements must still be met in order to maintain extended warranty coverage. Failure to do so will render all warranties null and void.

The limited extended warranty coverage may be purchased and applied to any of the BEKO Technologies product lines included in the scope of the Cover3More extended warranty program from the original date of purchase from BEKO Technologies to 18-months thereafter.

Extended warranty coverage may not be purchased during the final 6-months of the standard warranty coverage, which are months 19-24 from the date of shipment or at BEKO Technologies' discretion, the date of installation.

The purchase price of the Cover3More limited extended warranty is not prorated and the current published purchase price is always applied.

Should the extended warranty coverage be purchased post-delivery or post-sale, then the serial number of all products to which the warranty shall be extended must be provided to BEKO Technologies at the time of purchase of the extended warranty.

Reliable | Efficient | Innovative

What can we do for you?



BEKO TECHNOLOGIES CORP.
900 Great Southwest Pkwy SW
Atlanta, GA 30336
USA

Phone +1 (404) 924-6900
www.bekousa.com

