



EN-US – English US

## Instructions for installation and operation

Pressure dew point transmitter METPOINT® DPM

**SD23**



---

Dear customer,

Thank you for deciding in favor of the METPOINT® DPM SD23 pressure dew point transmitter. Please read these installation and operating instructions carefully before mounting and starting up the pressure dew point transmitter and follow our directions.

Perfect functioning of the pressure dew point transmitter can only be guaranteed when the provisions and notes stipulated here are strictly adhered to.

**Contents**

1	Pictograms and symbols .....	4
2	Signal words in accordance with ISO 3864 and ANSI Z 535.....	4
3	General information.....	5
4	Safety instructions .....	6
5	Proper use.....	7
5.1	Exclusion from the field of application.....	7
6	Type plate.....	8
7	Technical data .....	9
8	Dimension drawings.....	12
9	Function.....	14
10	Installation .....	15
10.1	Installation instructions .....	15
10.2	Preparing the pressure dew point transmitter .....	16
10.3	Installation in the measuring chamber .....	16
11	Electrical installation.....	17
11.1	Connection DPM SD23, 4-wire system, 4 ... 20 mA.....	18
11.2	Connection DPM SD23, 4-wire system, 0 ... 10 V.....	19
11.3	Connection DPM SD23, bidirectional bus system RS485 .....	20
12	Maintenance and calibration .....	22
12.1	Cleaning/decontamination.....	23
13	Scope of delivery.....	24
14	Accessories .....	25
15	Dismantling and disposal .....	26
16	Troubleshooting and fault removal.....	26
17	Declaration of conformity .....	27
18	Index.....	29

## Pictograms and symbols

---

### 1 Pictograms and symbols



Observe the installation and operating instructions



General advice



Observe the installation and operating instructions  
(on the type plate)



General danger symbol (danger, warning, caution)



Use protective gloves

### 2 Signal words in accordance with ISO 3864 and ANSI Z 535

<b>Danger!</b>	Imminent hazard Consequences of non-observance: serious injury or death
<b>Warning!</b>	Potential hazard Consequences of non-observance: possible serious injury or death
<b>Caution!</b>	Imminent hazard Consequences of non-observance: possibly injury or property damage
<b>Notice!</b>	Potential hazard Consequences of non-observance: possibly injury or property damage
<b>Important!</b>	Additional advice, info, hints Consequences of non-observance: disadvantages during operation and maintenance, no danger

### 3 General information

**Warning!****Risk of injury when used incorrectly!**

Prior to the mounting, start-up, and operation of the pressure dew point transmitter, it must be ensured that the device was correctly chosen with regard to the measuring range, design and specific measurement conditions. In the event of non-observance, severe personal injury and/or damage to materials may occur.

**Warning!****Risk of injury in the event of insufficient qualifications!**

Improper use can lead to significant personal injury and material damage. All of the activities described in these operating instructions must only be carried out by qualified personnel with the qualifications described hereinafter.

**Qualified personnel**

Due to the specific training and knowledge concerning the measuring and control technology, and due to their experience and knowledge of the country-specific provisions, standards in force and directives, qualified personnel are capable of carrying out the described work and of independently identifying the possible risks. Special employment conditions require further corresponding knowledge, e.g. regarding aggressive media.



Please check, prior to reading the operating instructions, whether or not these instructions correspond to the device. Read these installation and operating instructions carefully prior to any intervention regarding the METPOINT® DPM. The operating instructions must be accessible at all times at the place of application of the device.

If you have any queries regarding these instructions, please contact BEKO TECHNOLOGIES GMBH.

Installation works must exclusively be carried out by authorised and qualified personnel. Prior to undertaking any measures, the qualified personnel shall read up on the device by carefully studying the operating instructions. The operator of the products is responsible for the adherence to these provisions. The respective directives in force apply to the qualification and expertise of the qualified personnel.

For safe operation, the device must only be installed and operated in accordance with the indications in the operating instructions. In addition, the national and operational statutory provisions and safety regulations, as well as the accident prevention regulations required for the respective case of application, need to be observed during employment. This applies accordingly when accessories are used.

**Important:**

Keep all the packaging materials of the pressure dew point transmitter, since these will be required for the further installation and return.

## Safety instructions

---

### 4 Safety instructions



**Danger!**  
**Compressed air!**

Risk of serious injury or death through contact with quickly or suddenly escaping compressed air or through bursting plant components.

#### Measures

- Do not exceed the max. operating pressure (see type plate)!
- Only use pressure-resistant installation material!
- Make sure that no persons or objects can be hit by emerging compressed air!



**Danger!**  
**Inadmissible operating parameters!**

Under-running or exceeding the limit values involves risks for persons and the material, and malfunction and service failures may occur.

#### Measures

- Make sure that the pressure dew point transmitter is operated only within the permissible limit values that are indicated on the type plate and in the technical data.
- Exact compliance with the performance data of the pressure dew point transmitter in connection with the case of application.
- Carry out service and calibration measures at regular intervals.

#### Further safety advice

- During installation and operation, the national regulations and safety instructions in force also need to be observed.
- The pressure dew point transmitter must not be employed in hazardous areas.

#### Additional instructions

- Do not overheat the device!
- The pressure dew point transmitter must not be disassembled!



**Caution!**  
**Damage possible!**

Using the pressure dew point transmitter with corrosive media involves the risk of premature mechanical failure.

#### Measures

- Only use the device with the media that are listed in the data sheet and in the technical data.



**Note:**

The resistance at the 1.5 times permissible max. operating pressure is confirmed.  
For further information, please refer to the enclosed technical data sheet.

## 5 Proper use

The **METPOINT® DPM** pressure dew point transmitter is intended for the measurement of the pressure dew point in **gaseous** media. The pressure dew point transmitter transforms the measured value into a linear, analog output signal (4 ... 20 mA or 0... 10 V) or into a digital output signal RS485.

The application is restricted to compressed air and inert gases of fluid group 2 in accordance with the 97/23/EC Pressure Equipment Directive.

The max. permissible operating pressure is 725 psig (50 bar [ü]) and the temperature of the process medium must not exceed the range between -22 and +158 °F (-30 and +70 °C).

The **METPOINT® DPM** pressure dew point transmitter is exclusively designed and constructed for the proper application purpose that is described herein and must be used correspondingly.

A check in order to ascertain whether or not the device is suitable for the chosen employment must be carried out by the user. It must be ensured that the medium is compatible with the components which come into contact with it. **The technical data listed in the data sheet are binding.**

Improper handling or operation outside the technical specifications is impermissible. **Claims of any kind on the basis of improper use are excluded.**

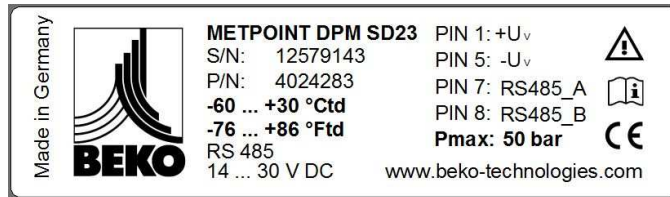
### 5.1 Exclusion from the field of application

- The device is **not** suitable for use in hazardous areas.
- The device is **not** suitable for application with corrosive gases.
- Improper handling or operation outside the technical specifications.

## Type plate

### 6 Type plate

The type plate is on the housing. It includes all the important data regarding the METPOINT® DPM pressure dew point transmitter which must be communicated to the manufacturer or supplier upon request.



<b>METPOINT® DPM SD23</b>	Product designation
S/N:	Serial number
P/N:	Item number
<b>-60 ... +30 °C<sub>td</sub></b>	Measuring range
<b>-76 ... +86 °F<sub>td</sub></b>	
RS485	Output signal
14 ... 30 V DC	Power supply
PIN 1:	Power supply (+U <sub>v</sub> )
PIN 5:	Power supply (-U <sub>v</sub> )
PIN 7:	Signal output (RS458_A)
PIN 8:	Signal output (RS458_B)
<b>Pmax:</b>	50 bar (725 psig)



**Note:**

Never remove, damage, or obliterate the type plate!



7 Technical data

<b>CE</b>	
<b>General indications</b>	
Model designation	<b>DPM SD23</b>
Measuring principle	Capacitive polymer sensor
Measured parameter	°C <sub>td</sub> / °F <sub>td</sub> , dew point/freezing point
Measuring range	<b>-76 ... +86 °F<sub>td</sub> (-60 ... +30 °C<sub>td</sub>)</b>
Output signal	<b>4 ... 20 mA</b> , analog, 4-wire
Output signal	<b>0 ... 10 V</b> , analog, 4-wire
Output signal	<b>RS485</b> , digital output, 4-wire
Max. permissible operating overpressure	725 psig (50 bar [ü])
Process medium <sup>1</sup>	Compressed air
Temperature-compensated range	-13 ... +140 °F (-25 ... +60 °C)
Reference conditions <sup>2,3</sup>	EN 61298-1
Process connection	G ½ external thread (ISO 228-1)
Sensor protection	Stainless steel sintered filter (40 µm)
Measuring gas flow when the measuring chamber is employed	0.04 ... 0.11 scfm (1 ... 3 standard l/min)
Weight	6,2 oz (175 g)
Protection class according to EN 60529 <sup>4</sup>	IP 65

<sup>1</sup> **Process medium**

Compressed air, nitrogen, and other gases of group 2 according to Article 9, Clause 2.2 of the PED 97/23/EC. Group 2 comprises fluids which are **not** toxic, corrosive, flammable, potentially explosive, and fire-promoting.

The process medium must be compatible with the material 1.4404 and the other materials which come into contact with the medium (see Table: materials).

<sup>2</sup> **The tests are carried out under ambient conditions in accordance with EN 61298-1.**

Temperature: 59 ... 77 °F (15 ... 25 °C)  
 Air pressure: 12 ... 15 psi (860 ... 1060 mbar)  
 Air humidity: 45 ... 75% relative

The max. permissible deviation of the ambient temperature must not exceed 33 °F (1 °C) in 10 min. for each test, and maximally +37 °F/h (+3 °C/h)

<sup>3</sup> The max. error of measurement refers to the calibration of the pressure dew point transmitters with the medium compressed air under the following reference conditions:

Compressed-air temperature: +68 °F (+20 °C)  
 Operating pressure: 72 psi (5.0 bar (abs))

<sup>4</sup> The indicated protection classes according to EN 60529 only apply when connected, with a mating connector with a corresponding protection class.

## Technical data

Materials	
Sensor element (in contact with the medium)	Polymer, aluminum oxide, Ni, Cr, Au, Ag, Cu, Pt, Sn
Glass feedthrough (in contact with the medium)	1.4301, 2.4478 (NiFe), Au, FKM/EPDM
Process connection (in contact with the medium)	1.4404, EN 10272, EN 10088-3
Housing	1.4404, EN 10272, EN 10088-3
Mounting connector (Phoenix, item no. 1557581)	CuZn, Au, PA 66, FKM / EPDM

Permissible temperature ranges	
Process-medium temperature	-22 °F ... 158 °F (-30 °C ... +70 °C)
Ambient temperature during operation	-13 °F ... 140 °F (-25 °C ... +60 °C)
Storage and transport temperature	-40 °F ... 185 °F (-40 °C ... +85 °C)
Ambient humidity	0...95 %, non-condensing

Accuracy	
Max. error of measurement <sup>1</sup>	$\pm 4 \text{ K for } -76 \dots -58 \text{ }^\circ\text{F}_{\text{td}} (-60 \dots -50 \text{ }^\circ\text{C}_{\text{td}})$ $\pm 3 \text{ K for } -58 \dots -22 \text{ }^\circ\text{F}_{\text{td}} (-50 \dots -30 \text{ }^\circ\text{C}_{\text{td}})$ $\pm 2 \text{ K for } -22 \dots +14 \text{ }^\circ\text{F}_{\text{td}} (-30 \dots -10 \text{ }^\circ\text{C}_{\text{td}})$ $\pm 1 \text{ K for } +14 \dots 86 \text{ }^\circ\text{F}_{\text{td}} (-10 \dots +30 \text{ }^\circ\text{C}_{\text{td}})$
Response time	< 10 sec. from dry to wet
	< 40 sec. from wet to dry
Measuring rate	0.5 Hz = 2 measurements per minute

CE conformity	
Pressure Equipment Directive <sup>2</sup>	97/23/EC
EMC Directive	2004/108/EC
EMC immunity to interference, <b>industrial field</b>	EN 61326-1 & EN 61326-2-3
EMC emitted interference (emission), <b>group 1, class B</b>	EN 61326-1
CE labelling according to the EMC Directive 2004/108/EC	

<sup>1</sup> Max. error of measurement at reference conditions.

<sup>2</sup> For gases and fluids of fluid group 2, the requirements according to Article 3, Clause 3 (good engineering practice) are met.

Electrical connections	
Connector (cable box) according to <b>EN 61076-2-101</b>	M12 x1 (4-pole)
Type of connection	Screw terminals
Wire cross-section	Max. 0.50 mm <sup>2</sup> (AWG 20)
Grommet	0.2 ... 0.3 inch ( 6 ... 8 mm)
Protection class	IP 67 according to EN60529

Electrical specifications DPM SD23		
Supply voltage <sup>1</sup> $U_V$		<b>14 ... 30 V DC</b>
Max. power consumption during nominal operation	<b>DPM SD23</b> (4 ... 20 mA)	1200 mW
	<b>DPM SD23</b> (0 ... 10 V)	600 mW
	<b>DPM SD23</b> (RS485)	600 mW
Current consumption <sup>2</sup> during nominal operation	<b>DPM SD23</b> (4 ... 20 mA)	max. 50 mA
	<b>DPM SD23</b> (0 ... 10 V)	25 mA
	<b>DPM SD23</b> (RS485)	25 mA
Load (load resistance) $R_L$	<b>DPM SD23</b> (4 ... 20 mA)	$R_L = \text{max. } 416 \Omega \text{ at } 24 \text{ V DC}$
	<b>DPM SD23</b> (0 ... 10 V)	$R_L \geq 10 \text{ k}\Omega$
Resistance to short-circuiting		Permanent
Reverse voltage protection <sup>3</sup>		Available
Insulation resistance, EN 61298-2, Clause 6.3.2		> 100 M $\Omega$ at 500V DC
Voltage proof, EN 61298-2, Clause 6.3.3		500 V AC
Overvoltage arrester <sup>4</sup>		33 V DC

<sup>1</sup> **The nominal value of the supply voltage is 24 V DC.**

Supply to the pressure dew point transmitter should be implemented with a stabilized, short-circuit-protected power supply that is protected against overvoltage.

The energy supply to the pressure dew point transmitter must come from a source with an **energy-limited electrical circuit** (10 A max./ 30 V max.) and a protective separation from the network. **See EN 61010-1, Clause 9.4.**

<sup>2</sup> The protection against excess current is realized via a resettable PTC fuse.

<sup>3</sup> Reverse voltage protection.

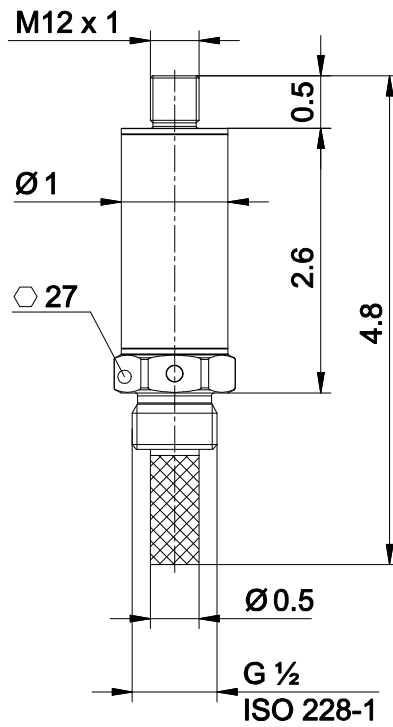
In the event that the connections are interchanged, the transmitter may be damaged under certain circumstances. It is imperative to observe the connection diagrams.

<sup>4</sup> Overvoltage arrester. The overvoltage is limited at 33 V DC by the suppressor diode.

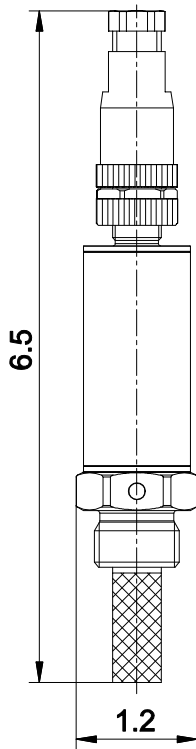
Dimension drawings

8 Dimension drawings

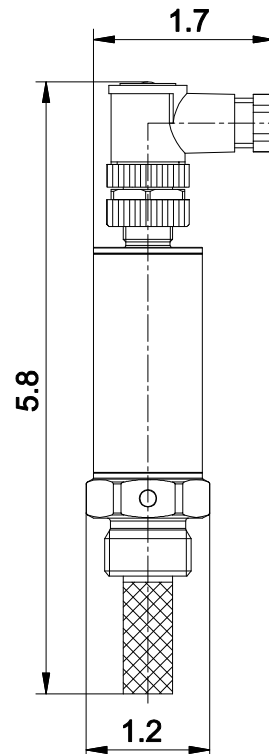
Dimensions DPM SD23



Dimensions DPM SD 23 with a connecting plug (straight)



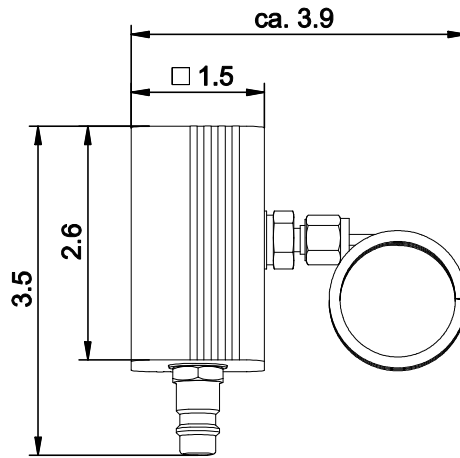
Dimensions DPM SD23 with a connecting plug (angle)



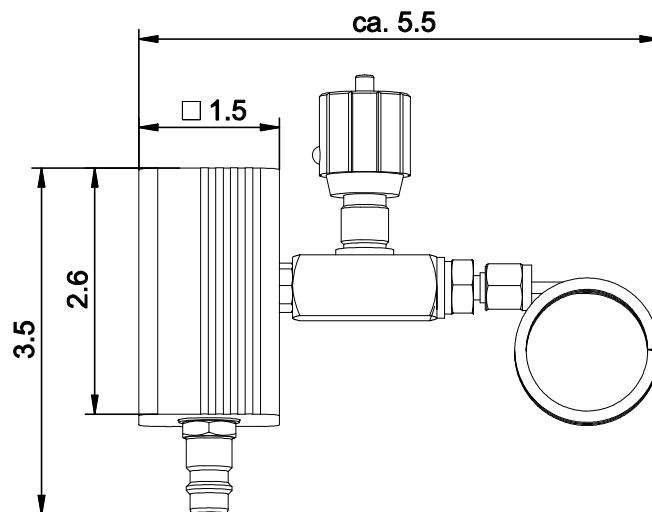
Standards for threads

Straight pipe thread (internal and external screw thread) for a non-sealing connection in the thread  
 Short symbol **G**, according to **ISO 228-1**

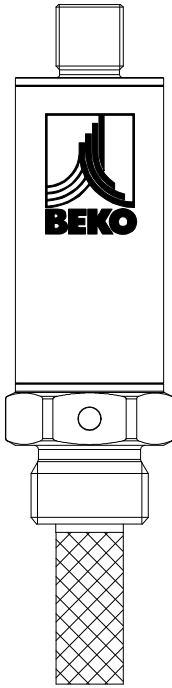
Dimensions measuring chamber



Dimensions measuring chamber with a purge-air controller



### 9 Function



The **METPOINT® DPM SD23** pressure dew point transmitter includes all of the industrially common output signals in one model:

- A configurable voltage output 0...10 V
- A configurable power output 4 ... 20 mA
- A digital RS 485 interface with MODBUS protocol or BCP = BEKO Communication Protocol

At the analog 4...20 mA output and at the digital RS485 interface, the measuring range exceedances and fault signals are provided. The transmitter can be updated via the digital interface, so that the product up-to-dateness is ensured at all times.

The transmitter is equipped with a G ½" fixing thread according to ISO 228-1 and can directly be screwed into the measuring chamber. Alternatively, direct installation in the measuring line is also possible.

During the production of the **METPOINT® DPM SD23**, calibration is implemented at 20 measuring points. The employed reference devices are traceable to the national norms of the Physikalisch-Technische Bundesanstalt (national metrology institute).

## 10 Installation

### 10.1 Installation instructions



#### Warning!

#### Risk of injury in the event of insufficient qualifications!

Improper use can lead to significant personal injury and material damage. All of the activities described in these operating instructions must only be carried out by qualified personnel with the qualifications described hereinafter.

#### Qualified personnel

Due to the specific training and knowledge concerning the measuring and control technology, and due to their experience and knowledge of the country-specific provisions, standards in force and directives, qualified personnel are capable of carrying out the described work and of independently identifying the possible risks. Special employment conditions require further corresponding knowledge, e.g. regarding aggressive media.



#### Danger!

#### Compressed air!

Risk of serious injury or death through contact with quickly or suddenly escaping compressed air or through bursting and/or unsecured plant components.

#### Measures:

- **Only carry out installation works when the system is pressureless.**
- Only use pressure-resistant installation material.
- Do not exceed the max. operating pressure (see type plate).
- Check the installation point for tightness subsequent to installation.



#### Warning!

#### Risk of injury through temperature!

Risk of injury through the contact with very high or low temperatures.



#### Measures:

- Prior to installation or removal of the pressure dew point transmitter, carry out a temperature compensation or wear protective gloves.



#### Caution!

#### Malfunction at the pressure dew point transmitter!

Through incorrect installation, malfunctions may occur at the METPOINT® DPM SD23 pressure dew point transmitter. These can lead to incorrect measuring results and to misinterpretations.



#### Note:

It is imperative to observe all of the listed hazard and warning notes.

Please also observe all the provisions and instructions regarding the occupational safety and fire at the respective point of installation.

As a matter of principle, only use suitable tools and material in a proper condition.

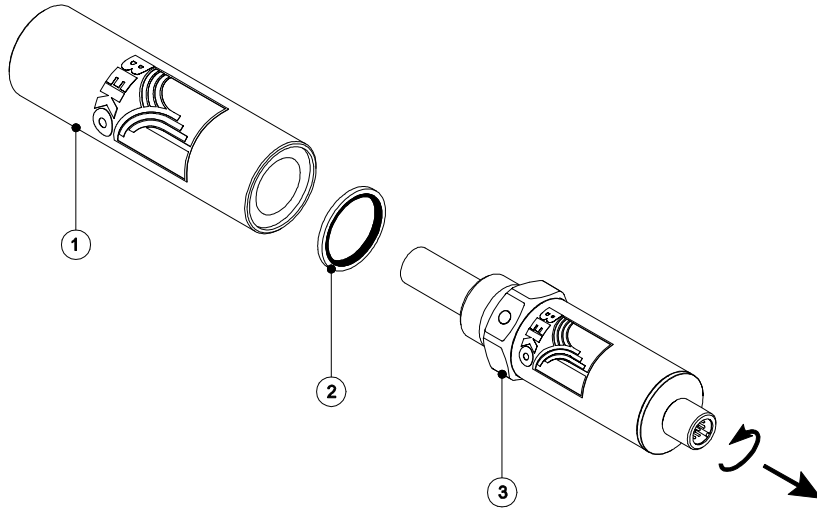
Bear in mind that condensates can contain aggressive and harmful components. Therefore, avoid contact with the skin.

## Installation

### 10.2 Preparing the pressure dew point transmitter

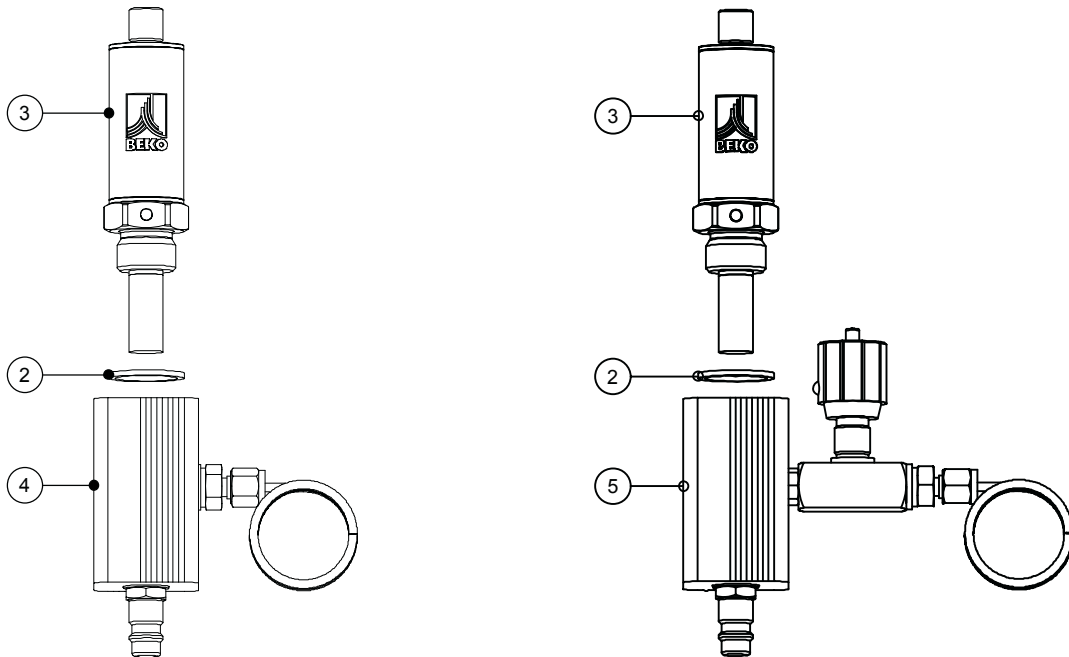
The **METPOINT® DPM SD23** pressure dew point transmitter is delivered by the factory in a protection chamber. The latter protects the transmitter against damage and high humidity.

1. Unscrew the pressure dew point transmitter (3) in the anti-clockwise direction from the protection chamber.
2. Protect the sealing ring (2) against loss when unscrewing the transmitter and keep it ready for the installation in the measuring chamber.
3. The protection chamber (1) and the contained desiccant must be kept for the return transport of the transmitter.



### 10.3 Installation in the measuring chamber

Firmly screw the pressure dew point transmitter (3) with the sealing ring (2) into the measuring chamber (4) or (5), and then check for tightness.



**Note:**

The max. permissible operating pressure and the operating temperature of the measuring chamber can be taken from the type plate of the respective measuring chamber.



## 11 Electrical installation

The nominal value for the supply voltage for the electrical installation is 24 V DC.

Supply of the METPOINT® DPM SD23 must be implemented with a stabilized, short-circuit-protected power supply that is protected against overvoltage. The energy supply must come from a source with an energy-limited electrical circuit (10 A max./ 30 V max.) and a protective separation from the network. **See also EN 61010-1, Clause 9.4.**

Prior to the installation and start-up, the maximum load resistance must be observed. With a nominal value of the supply voltage of **24 V DC**, the max. load resistance is 571 Ω. With a supply voltage that deviates from 24 V DC, the max. load resistance can be calculated according to the following formula:

$$R_L \leq (U_v - 14 \text{ V}) / 0.024 \text{ A } [\Omega]$$



### Warning!

#### Risk of injury in the event of insufficient qualifications!

Improper use can lead to significant personal injury and material damage. All of the activities described in these operating instructions must only be carried out by qualified personnel with the qualifications described hereinafter.

### Qualified personnel

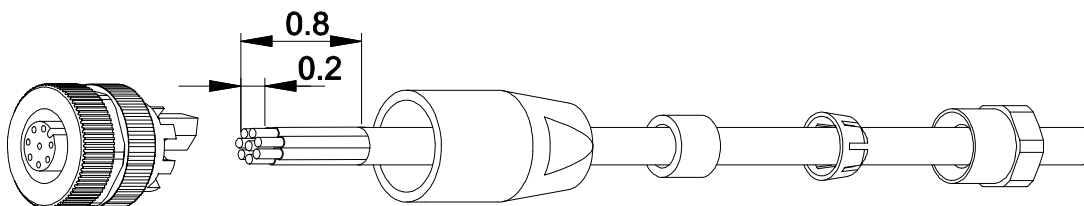
Due to the specific training and knowledge concerning the measuring and control technology, and due to their experience and knowledge of the country-specific provisions, standards in force, and directives, qualified personnel are capable of carrying out the described work and of independently identifying the possible risks.

Special employment conditions require further corresponding knowledge, e.g. regarding aggressive media.

Connector, M12 x 1, 8-pole, a-coded		
Arrangement of the poles plug View transmitter side	Arrangement of the poles - fe- male connector View female connector side	Arrangement of the poles female connector View screwing side

The cable must be assembled as follows:

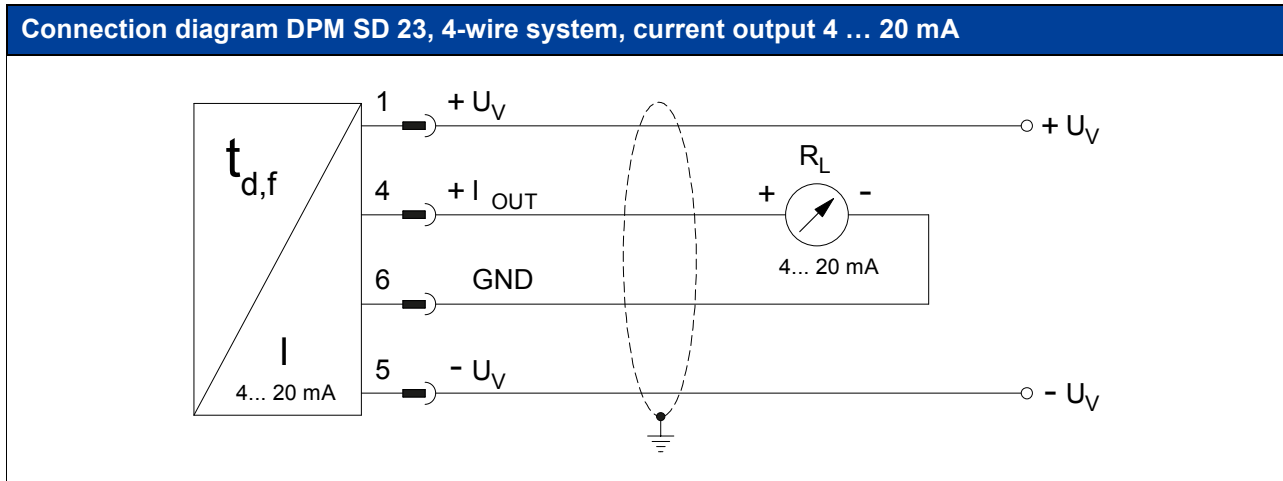
1. Push the components of the plug connector over the cable
2. Cut the cable jacket by 0.8 inch (20 mm) in length
3. Cut the conductor sheath by 0.2 inch (5 mm) in length
4. Introduce the cable into the connector according to the pin assignment
5. Assemble/screw together the components of the connector



## Electrical installation

### 11.1 Connection DPM SD23, 4-wire system, 4 ... 20 mA

Pin	Function	Description	Conductor coloring
PIN-1	+U <sub>V</sub>	Positive (+) connection of the supply voltage	Brown
PIN-4	+I <sub>OUT</sub>	Current output	White
PIN-6	GND	Analog reference potential	Black
PIN-5	-U <sub>V</sub>	Negative (-) connection of the supply voltage	Blue



#### Notes:

The analog current output 4 ... 20 mA has no potential isolation to the power supply.

The **METPOINT® DPM SD23** pressure dew point transmitters are supplied ex works with the current output 4 ... 20 mA. The following scaling was configured in the factory:

$$4 \text{ mA} = -76 \text{ }^\circ\text{F}_{\text{td}} (-60 \text{ }^\circ\text{C}_{\text{td}})$$

$$20 \text{ mA} = +86 \text{ }^\circ\text{F}_{\text{td}} (+30 \text{ }^\circ\text{C}_{\text{td}})$$

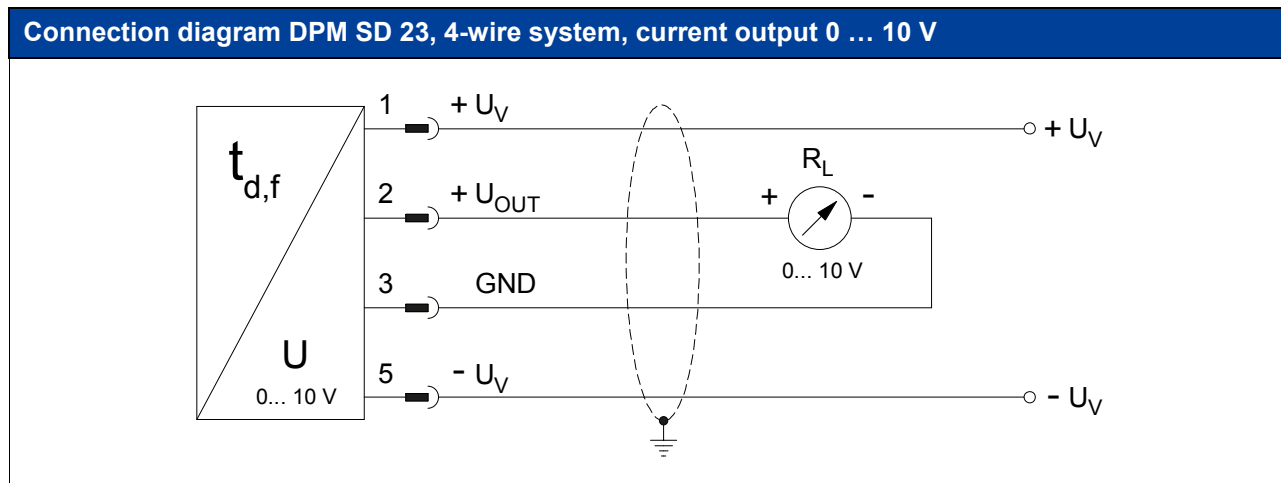
The output of the current signal takes place at PIN-4 of the 8-pole M12 connector. The signal output is implemented as an **active power source** against the analog reference potential (PIN-6).

For the connection to superordinate control systems, an isolation amplifier may be required in order to avoid earth-coupling. In this respect, please contact the manufacturer of the superordinate control system regarding the possible specifications.

It is recommended to use a shielded cable for the installation. Shielding is implemented via the shield ring of the connector. The preconditions are that the respective connector is made of metal and that the shield has the shape of a braid. The shielding should be earthed at one end.

11.2 Connection DPM SD23, 4-wire system, 0 ... 10 V

Pin	Function	Description	Conductor coloring
PIN-1	+U <sub>V</sub>	Positive (+) connection of the supply voltage	Brown
PIN-2	+ U <sub>OUT</sub>	Positive (+) connection of the measuring signal	White
PIN-3	GND	Analog reference potential	Black
PIN-5	- U <sub>V</sub>	Negative (-) connection of the supply voltage	Blue



Notes:

The analog current output 0 ... 10 V has no potential isolation to the power supply.

As the METPOINT® DPM SD23 pressure dew point transmitters are supplied ex works with the current output 4 ... 20 mA, it is necessary to configure the voltage output 0 ... 10 V via the PRODCON software. The scaling of the voltage output is also adjusted via the PRODCON software, unless the factory settings will be used. The following scaling was configured in the factory:

- 0 V = -76 °F<sub>td</sub> (-60 °C<sub>td</sub>)
- 10 V = +86 °F<sub>td</sub> (+ 30 °C<sub>td</sub>)

The output of the current signal takes place at PIN-5 of the 8-pole M12 connector. The signal output is implemented as an active power source against the analog reference potential (PIN-3).

Prior to the installation and start-up, the load resistance must be observed. It must not underrun a value of 10 kΩ. The calibration of the voltage output applies at 10 kΩ.

$$R_L \geq 10 \text{ k}\Omega$$

For the connection to superordinate control systems, an isolation amplifier may be required in order to avoid earth-coupling. In this respect, please contact the manufacturer of the superordinate control system regarding the possible specifications.

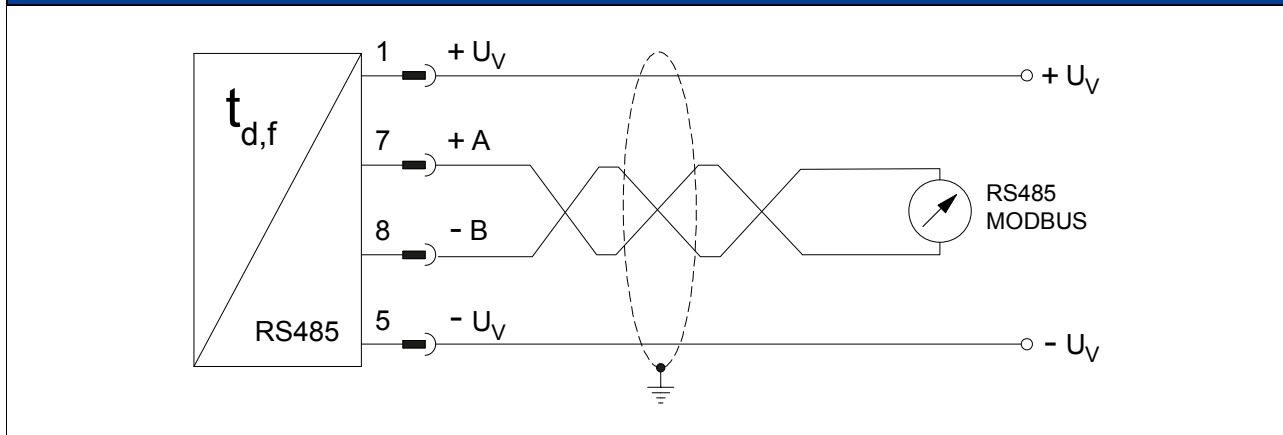
It is recommended to use a shielded cable for the installation. Shielding is implemented via the shield ring of the connector. The preconditions are that the respective connector is made of metal and that the shield has the shape of a braid. The shielding should be earthed at one end.

## Electrical installation

### 11.3 Connection DPM SD23, bidirectional bus system RS485

Pin	Function	Description	Conductor coloring
PIN-1	+U <sub>V</sub>	Positive (+) connection of the supply voltage	Brown
PIN-7	Bus A (+)	Non-inverted signal (+) of the RS485 interface	White
PIN-8	Bus B (-)	Inverted signal (-) of the RS485 interface	Black
PIN-5	- U <sub>V</sub>	Negative (-) connection of the supply voltage	Blue

#### Connection diagram DPM SD23, bidirectional bus system RS485



#### Notes:

The digital interface is always active and can be used in addition to the analog output.

The bus connection is implemented via PIN-7 = RS485\_Bus A (+) and PIN-8 = RS485\_Bus B (-).

**The two bus lines must not be interchanged because the communication will be disturbed for all participants on the bus.** The bus termination at both ends of the network is also important. The correct termination of the bus connection at both ends of the cable must be ensured. **The terminal resistance at both line ends should be activated in order to avoid reflections during the signal transmission.** The 120 Ω bus termination is integrated into the pressure dew point transmitter and energized (it can be energized or deactivated via the PRODCON software, if required).

**It is recommended to use only shielded, twisted-pair leads.** Shielding is implemented via the shield ring of the connector. The preconditions are that the respective connector is made of metal and that the shield has the shape of a braid. The shielding must be earthed at one end.

Several BEKO devices can be operated on the same bus. In this case, the devices need to be configured to different bus addresses prior to the connection via the PRODCON software. The communication is effectuated in half-duplex operation.

The **METPOINT® DPM SD23** pressure dew point transmitter meets the specifications:

1. MODBUS APPLICATION PROTOCOL SPECIFICATION V.1.1b3
2. MODBUS over serial line specification and implementation guide V1.02

For detailed information regarding the RS485 interface, please refer to the enclosed product documentation.

The METPOINT® DPM SD23 is supplied ex works with the following Modbus configuration:

Bus address:	01
Terminal resistance 120 Ω	active
Baud rate:	38400

Register	Parameter	Reg. address	Reg. format	Unit	Scaling
Va	Temperature	1216	[HR] R4	°C	No scaling
Vb	Rel. humidity	1152	[HR] R4	% rH	No scaling
Vc	Dew/Freezing point	1536	[HR] R4	°C <sub>td</sub>	No scaling
Vd	Dew point	1472	[HR] R4	°C <sub>td</sub>	No scaling
Ve	Temperature	2944	[HR] R4	°F	No scaling
Vf	Dew/Freezing point	3008	[HR] R4	°F <sub>td</sub>	No scaling

### 12 Maintenance and calibration

The perfect and safe functioning of the components requires calibration or adjustment at regular intervals.

The METPOINT® DPM SD23 should be calibrated annually by the manufacturer, and re-adjusted, if required.



#### **Danger!**

#### **Compressed air!**

Risk of serious injury or death through contact with quickly or suddenly escaping compressed air or through bursting and/or unsecured plant components.

#### **Measures:**

- **Only carry out installation works when the system is pressureless and deactivated.**
- Only use pressure-resistant installation material.
- Make sure that no persons or objects can be hit by condensate or emerging compressed air.
- Check the tightness subsequent to maintenance measures.



#### **Warning!**

#### **Risk of injury in the event of insufficient qualifications!**

Improper use can lead to significant personal injury and material damage.

All of the activities described in these operating instructions must only be carried out by qualified personnel with the qualifications described hereinafter.

#### **Qualified personnel**

Due to the specific training and knowledge concerning the measuring and control technology, and due to their experience and knowledge of the country-specific provisions, standards in force and directives, qualified personnel are capable of carrying out the described work and of independently identifying the possible risks.

Special employment conditions require further corresponding knowledge, e.g. regarding aggressive media.



#### **Warning!**

#### **Risk of injury through temperature!**



Risk of injury through the contact with very high or low temperatures.

#### **Measures:**

- Prior to undertaking maintenance measures, carry out a temperature compensation or wear protective gloves.



#### **Caution!**

#### **Damage possible!**

Damage and malfunctions at the METPOINT® DPM SD23 pressure dew point transmitter may occur through incorrect maintenance and calibration or when maintenance and calibration measures are not undertaken at regular intervals.

These can lead to incorrect measuring results and to misinterpretations.

#### **Measures:**

- Carry out regular inspections and checks in accordance with the Pressure Equipment Directive (PED).

### 12.1 Cleaning/decontamination

Cleaning of the METPOINT® DPM SD23 must be undertaken using a slightly damp (not wet) cotton cloth or one-way wipe, and mild, commercially available cleaner/soap.

For decontamination, spray the cleaner on an unused cotton cloth or one-way wipe and wipe the component comprehensively. Effectuate subsequent drying using a clean cloth or via air drying.

In addition, the local hygiene provisions need to be observed.



#### **Danger!**

#### **Compressed air/reaction products!**



Risk of serious injury or death through contact with quickly or suddenly escaping compressed air and through toxic, flammable, or potentially explosive reaction products.

#### **Measures:**

- **Only carry out cleaning measures when the system is pressureless.**
- Purge the respective plant component or pressure dew point transmitter prior to starting the maintenance works.
- Immediately clean the removed components from measuring media residues.



#### **Warning!**

#### **Damage possible!**

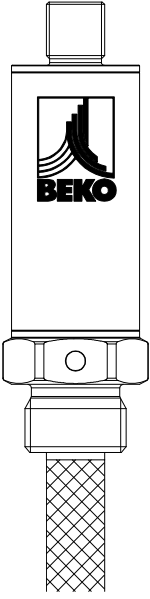
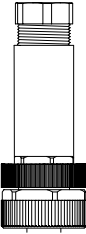
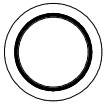
A too high degree of humidity and hard and pointed objects cause damage to the pressure dew point transmitter and to the integrated electronic components.

#### **Measures**

- Never clean with a soaked cloth.
- Do not use pointed or hard objects for cleaning.

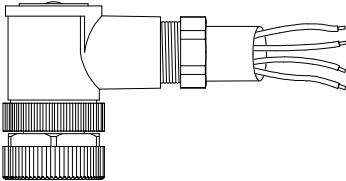
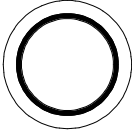
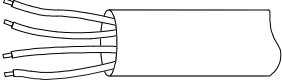
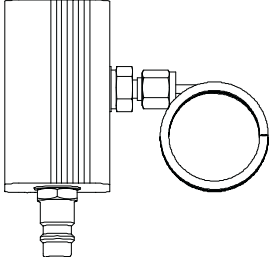
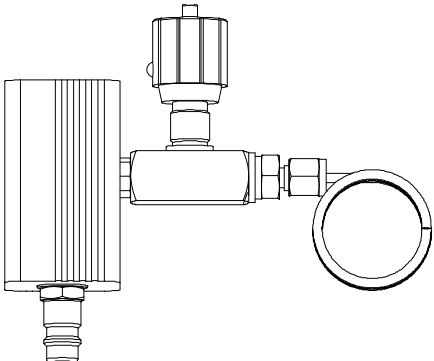
## Scope of delivery

### 13 Scope of delivery

Illustration	Description
	1 x METPOINT® DPM SD23 pressure dew point transmitter
	1x M12 plug, straight
	1 x stainless-steel seal
Without illustration	1 x factory calibration record



14 Accessories

Description	Order no.
<p><b>M12 connector, angle (incl. 16.4 ft (5 m) cable, pre-assembled)</b></p> 	<p><b>4025253</b></p>
<p><b>1 x stainless-steel seal</b></p> 	<p><b>4025004</b></p>
<p><b>Connecting cable 4 x 0.34 mm<sup>2</sup> (AWG 22)</b></p> 	<p><b>Upon request</b></p>
<p><b>Measuring chamber</b></p> 	<p><b>Upon request</b></p>
<p><b>Measuring chamber with a purge-air controller</b></p> 	<p><b>Upon request</b></p>

## Dismantling and disposal

### 15 Dismantling and disposal

When dismantling the DPM SD23 pressure dew point transmitter, all related parts and operating media must be disposed of separately.

Waste code: **20 01 36**  
 Used electrical and electronic devices with the exception of those which come under 20 01 21, 20 01 23, and 20 01 35.



**Warning!**  
**Danger for persons and the environment!**

The device must be disposed of in accordance with the European RoHS-2 2011/65/EU Directive. Old appliances must not be disposed of with normal household waste!  
 Depending on the used medium, residues on the device may represent a danger to the operator or the environment. Therefore, undertake suitable protective measures and dispose of the device properly.

**Measures:**

- Immediately clean the removed components from measured media residues when suitable protective measures cannot be undertaken.



**Warning!**  
**Risk of injury!**



Risk of injury through the contact with very high or low temperatures.

**Measures:**

- Prior to the removal of the DPM SD23 pressure dew point transmitter, wait for temperature compensation or wear protective gloves.

### 16 Troubleshooting and fault removal

Symptoms	Possible reasons
Signal current $\geq 21.0$ mA	Sensor error / system error
Signal current $\leq 3.6$ mA	Sensor error / system error
Signal current $< 4.0$ to $3.8$ mA	Falling below the measuring range
Signal current $> 20.0$ to $20.5$ mA	Exceeding the measuring range
There is no signal. Signal current = 0 mA	Break of the signal line

## 17 Declaration of conformity

BEKO TECHNOLOGIES GMBH  
41468 Neuss, GERMANY  
Tel: +49 2131 988-0  
www.beko-technologies.de



## EG-Konformitätserklärung

Wir erklären hiermit, dass die nachfolgend bezeichneten Produkte den Anforderungen der einschlägigen Richtlinien und technischen Normen entsprechen. Diese Erklärung bezieht sich nur auf die Produkte in dem Zustand, in dem sie von uns in Verkehr gebracht wurden. Nicht vom Hersteller angebrachte Teile und/oder nachträglich vorgenommene Eingriffe bleiben unberücksichtigt.

Produktbezeichnung:	<b>METPOINT® DPM SD23</b>
Typ:	<b>4024283</b>
Messbereich:	-60 ... +30 °C td (Frostpunkt / Taupunkt )
Versorgungsspannung:	14 ... 30 V DC
Datenblatt:	DPM-809-1013-FP-A
Zeichnungs-Nr.:	00181-T01-R05; 00182-T01-R05; 00182-T03-R06; 00181-T02-R02; 00113-090602
Max. zulässige Betriebsüberdruck:	50 bar
Min. / Max. Betriebstemperatur:	-30°C / +70°C
Produktbeschreibung und Funktion:	Drucktaupunkt-Transmitter

### Druckgeräte-Richtlinie 97/23/EG

Die Produkte fallen in keine Druckgerätekategorie und sind gemäß Artikel 3 Absatz 3 in Übereinstimmung mit der in den Mitgliedstaaten geltenden guten Ingenieurspraxis ausgelegt und werden dieser entsprechend hergestellt.

### EMV-Richtlinie 2004/108/EG

Angewandte Normen:	EN 61010-1:2010,	EN 61326-1:2006,
	EN 61326-2-3:2006,	EN 55011:2009+A1:2010

### ROHS II-Richtlinie 2011/65/EU

Die Vorschriften der Richtlinie 2011/65/EU zur Beschränkung der Verwendung bestimmter gefährlicher Stoffe in Elektro- und Elektronikgeräten werden erfüllt.

Die Produkte sind mit dem abgebildeten Zeichen gekennzeichnet:



Neuss, 09.01.2015

BEKO TECHNOLOGIES GMBH

i.V. Christian Riedel  
Leiter Qualitätsmanagement

Archiving: DPMSD23-822-1014-FP-A

## Declaration of conformity

BEKO TECHNOLOGIES GMBH  
41468 Neuss, GERMANY  
Tel.: +49 (0)2131 988 0  
www.beko-technologies.com



# EC Declaration of Conformity

We hereby declare that the products listed below comply with the stipulations of the relevant directives and technical standards. This declaration relates only to the products in the condition in which we put them on the market. Parts that were not installed by the manufacturer and/or alterations that have been made subsequently are not taken into account.

Product name:	<b>METPOINT® DPM SD23</b>
Type:	<b>4024283</b>
Measuring range:	-60 ... +30 °C t <sub>d</sub> (freezing point/dew point)
Supply voltage:	14 ... 30 V DC
Data sheet:	DPM-809-1013-FP-A
Drawing numbers:	00181-T01-R05; 00182-T01-R05; 00182-T03-R06; 00181-T02-R02; 00113-090602
Max. permissible operating pressure:	50 bar
Min./max. operating temperature:	-30°C / +70°C
Product description and function:	Pressure dew point transmitter

### Pressure Equipment Directive 97/23/EC

The products do not come under any pressure equipment category and are designed in accordance with the good engineering practices applicable in the member states as per Article 3 Paragraph 3, and are manufactured accordingly.

### EMC Directive 2004/108/EC

Applicable standards: EN 61010-1:2010, EN 61326-1:2006,  
EN 61326-2-3:2006, EN 55011:2009+A1:2010

### RoHS II Directive 2011/65/EU

The stipulations of Directive 2011/65/EU on the restriction of the use of certain hazardous substances in electrical and electronic equipment have been complied with.

The products have been labeled with the marking shown below:



Neuss, 09.01.2015

**BEKO TECHNOLOGIES GMBH**

p.p. Christian Riedel  
Head of Quality Management

Archiving: DPMSD23-822-1014-FP-A

## 18 Index

- Accessories 25
- Check 22
- Components 24
- Compressed air 23
- Connection SD23, 0 ... 10 V 19
- Connection SD23, 4 ... 20 mA 18
- Connection SD23, RS485 20
- Danger compressed air** 5, 15, 17, 22, 26
- Declaration of conformity 27
- Description SD23 14
- Dimension drawing and connections SD23 14
- Dimension drawings 12
- Dimensions 12, 14
- Dimensions SD23 12
- Electrical data 11
- Electrical installation 17
- Exclusion from the field of application 7
- Fault 26
- Fault clearance 26
- Fault removal 26
- Function 14
- Installation and operating instructions 4
- Maintenance 22
- Maintenance works** 15, 23
- Malfunction 26
- Pictograms 4
- Scope of delivery 24
- Symbols 4
- Technical data 9
- Technical data SD23 9
- Troubleshooting 26





<p><b>Headquarter :</b></p> <p><b>Deutschland / Germany</b>  BEKO TECHNOLOGIES GMBH  Im Taubental 7  D-41468 Neuss  Tel. +49 2131 988 0  beko@beko-technologies.com</p>	<p>中华人民共和国 / <b>China</b>  BEKO TECHNOLOGIES (Shanghai)  Co. Ltd.  Rm.606 Tomson Commercial Building  710 Dongfang Rd.  Pudong Shanghai China  P.C. 200122  Tel. +86 21 508 158 85  info.cn@beko-technologies.cn</p>	<p><b>France</b>  BEKO TECHNOLOGIES S.à.r.l.  Zone Industrielle  1 rue des Frères Rémy  F- 57200 Sarreguemines  Tél. +33 387 283 800  info@beko-technologies.fr</p>
<p><b>India</b>  BEKO COMPRESSED AIR  TECHNOLOGIES Pvt. Ltd.  Plot No.43/1, CIEEP, Gandhi Nagar,  Balanagar, Hyderabad - 500 037, INDIA  Tel. +91 40 23080275  eric.purushotham@bekoindia.com</p>	<p><b>Italia / Italy</b>  BEKO TECHNOLOGIES S.r.l  Via Peano 86/88  I - 10040 Leini (TO)  Tel. +39 011 4500 576  info.it@beko-technologies.com</p>	<p>日本 / <b>Japan</b>  BEKO TECHNOLOGIES K.K  KEIHIN THINK 8 Floor  1-1 Minamiwatarida-machi  Kawasaki-ku, Kawasaki-shi  JP-210-0855  Tel. +81 44 328 76 01  info@beko-technologies.jp</p>
<p><b>Benelux</b>  BEKO TECHNOLOGIES B.V.  Veenen 12  NL - 4703 RB Roosendaal  Tel. +31 165 320 300  benelux@beko-technologies.com</p>	<p><b>Polska / Poland</b>  BEKO TECHNOLOGIES Sp. z o.o.  ul. Chłapowskiego 47  PL-02-787 Warszawa  Tel +48 22 855 30 95  info.pl@beko-technologies.pl</p>	<p><b>Scandinavia</b>  www.beko-technologies.com</p>
<p><b>España / Spain</b>  BEKO Tecnológica España S.L.  Torruella i Urpina 37-42, nave 6  E-08758 Cervello  Tel. +34 93 632 76 68  info.es@beko-technologies.es</p>	<p><b>South East Asia</b>  BEKO TECHNOLOGIES S.E.Asia  (Thailand) Ltd.  75/323 Romklao Road  Sansab, Minburi  Bangkok 10510  Thailand  Tel. +66 2-918-2477  info.th@beko-technologies.com</p>	<p>臺灣 / <b>Taiwan</b>  BEKO TECHNOLOGIES Co.,Ltd  16F.-5, No.79, Sec. 1,  Xintai 5th Rd., Xizhi Dist.,  New Taipei City 221,  Taiwan (R.O.C.)  Tel. +886 2 8698 3998  Info.tw@beko-technologies.tw</p>
<p><b>Česká Republika / Czech Republic</b>  BEKO TECHNOLOGIES s.r.o.  Na Pankraci 1062/58  CZ - 140 00 Praha 4  Tel. +420 24 14 14 717  info@beko-technologies.cz</p>	<p><b>United Kingdom</b>  BEKO TECHNOLOGIES LTD.  2 &amp; 3 West Court  Buntsford Park Road  Bromsgrove  GB-Worcestershire B60 3DX  Tel. +44 1527 575 778  info@beko-technologies.co.uk</p>	<p><b>USA</b>  BEKO TECHNOLOGIES CORP.  900 Great SW Parkway  US - Atlanta, GA 30336  Tel. +1 404 924-6900  beko@bekousa.com</p>

Original instructions in German.

Subject to technical changes / errors excepted.

metpoint\_sd23\_manual\_en-us\_10-170\_1501\_v01